

Fire Rated Soffits and Aprons

Data Sheet
PM60.81

Application:

External horizontal fire barriers to restrict vertical fire spread from other firecells within the same building as determined by section 4.1.1 and 4.1.2 in approved document C3 of the N.Z.B.C.

Technical Detail:

1.0 Soffit lining

Table 1.0	
FRR	Product
30/30/30	Promina 9.0mm
60/60/60	Promina 9.0mm

2.0 Insulation

Table 2.0	
FRR	Product
30/30/30	Not required
60/60/60	Etercore 30mm thick

3.0 Framing layout

Table 3.0	
Soffit width	Dimension A
600	1200
750	900
1200	600

4.0 Fixings

Table 4.0	
FRR	
30/30/30	40x2.8 Clouts
60/60/60	No.6x30 Surefast screws

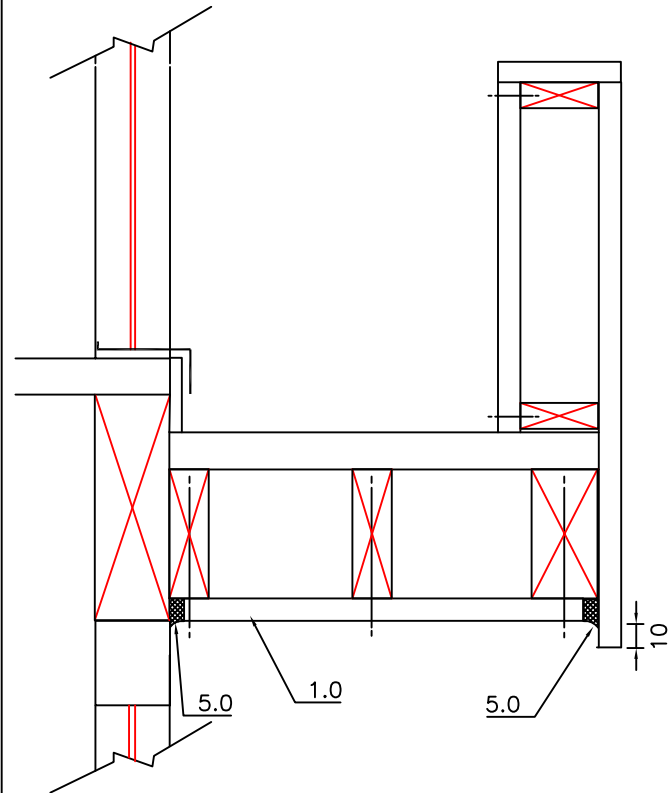
5.0 Promaseal intumescent mastic

6.0 Cantilevered bracket.

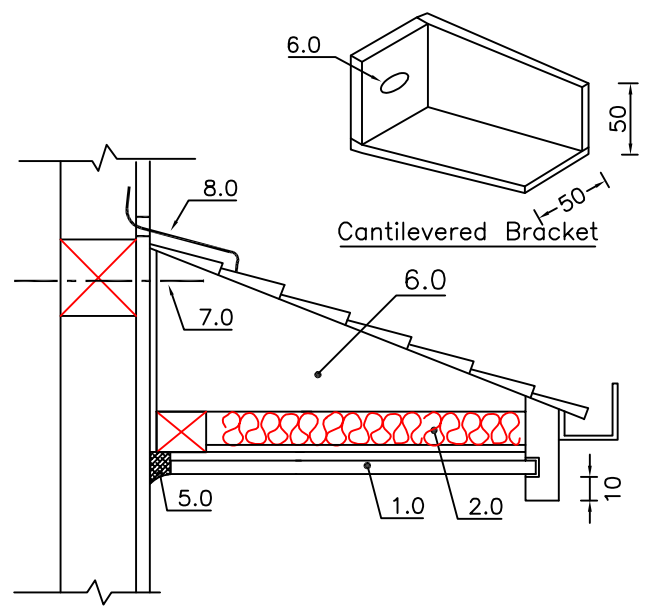
7.0 M10x65 Coach Screws

8.0 Flashing and weathering to architects design.

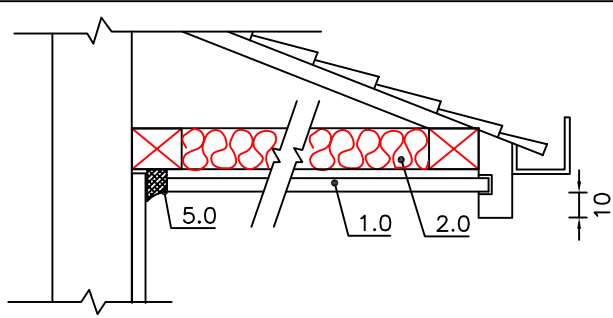
Note 1.0 Promina and Promatect boards are autoclaved calcium silicate boards unaffected by moisture and humidity. For external use both faces and all edges must be sealed with an alkali resistant sealer.



Detail C



Detail b



Detail A

pbs distributors

North Island: 31 Arrenway drive, Albany, PO Box 302202 NH 1330
tel: 09 477 0960, fax: 09 477 0961
South Island: 42C Macces Road, PO Box 38021 Christchurch 9
tel: 03 384 4023, fax: 03 384 4026
Phone toll free 0800 2255 727