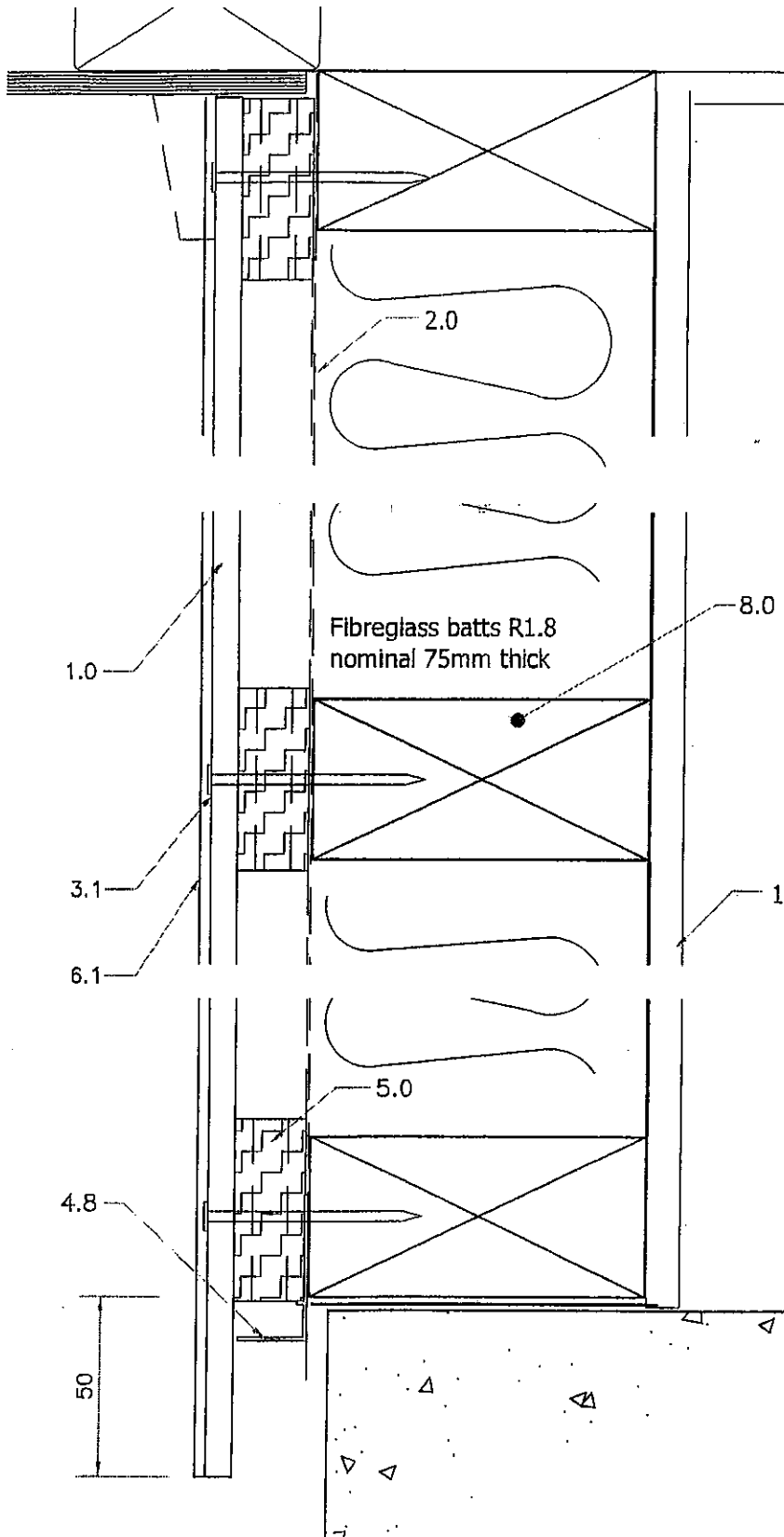


Eterpan: Two way fire wall
 Fire rating: 30/30/30

Built up with Eterpan & 10mm thick Fyreline gibboard

Key to tags

- 1.0> Eterpan 7.5mm or 9mm
- 2.0> Building wrap
- 3.1> Fixings 60x2.8d ss clouts
- 4.8> PVC vermin barrier
- 5.0> VentClad batten
- 6.1> Plaster coating
- 8.0> Timber framing



Soffit detail
 (no venting)

Detail at Nogs

Detail at Sill
 conc. slab, timber floor similar

Vertical section through exterior wall

VentClad
 With Fire rating

Scale:

1:2

Date:

1/06/05

DWG. No.

VC.2.4.03.FR

North Island: 31 Arrenway Drive, Albany. PO Box 302202 NH1330

tel: 09 477 0960, fax: 09 477 0961

South Island: 42C Maces Rd, PO Box 38021 Christchurch 9

tel: 03 384 4023, fax 03 384 4026



freephone 0800 2255 727

© THIS DRAWING IS THE PROPERTY OF POS DISTRIBUTORS LTD AND MUST NOT BE COPIED WITH OUT PERMISSION

© THIS DRAWING IS THE

Eterpan: Two way fire wall
 Fire rating: 30/30/30

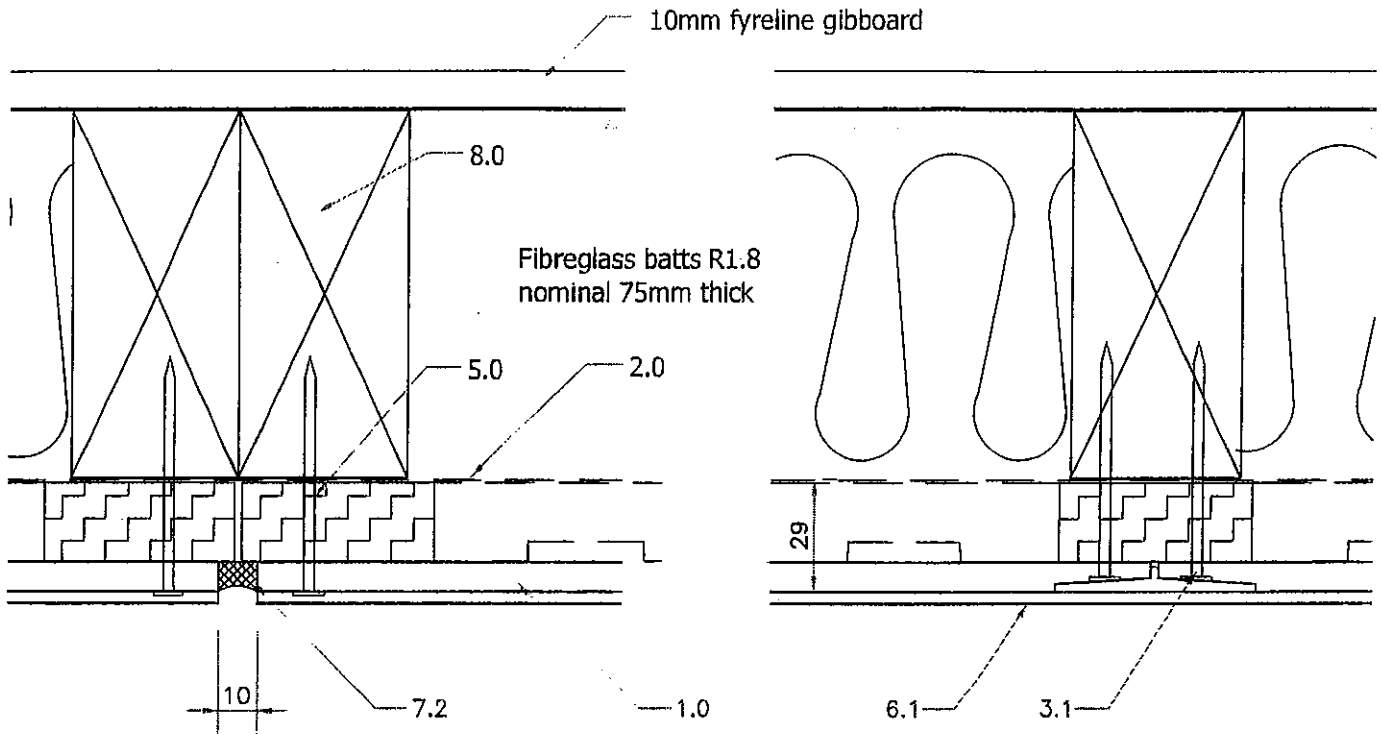
Built up with Eterpan & 10mm thick Fyreline gibboard

Key to tags

- 1.0> Eterpan 7.5mm or 9mm
- 2.0> Building wrap
- 3.1> Fixings 60x2.8d ss clouts
- 5.0> VentClad batten
- 6.1> Plaster coating
- 7.2> Sealant (FIRE RATED)
- 8.0> Timber framing

Expansion joint at double studs

Panel joint at stud



Horizontal section

VentClad
 With Fire rating

Scale:
 1:2

Date:
 1/06/05



freephone 0800 2255 727

North Island: 31 Arrenway Drive, Albany. PO Box 302202 NH1330

tel: 09 477 0960, fax: 09 477 0961

South Island: 42C Maces Rd, PO Box 38021 Christchurch 9

tel: 03 384 4023, fax 03 384 4026

DWG. No.

VC.2.5.06.FR

PBS DISTRIBUTORS LTD AND MUST NOT BE COPIED WITH OUT PERMISSION

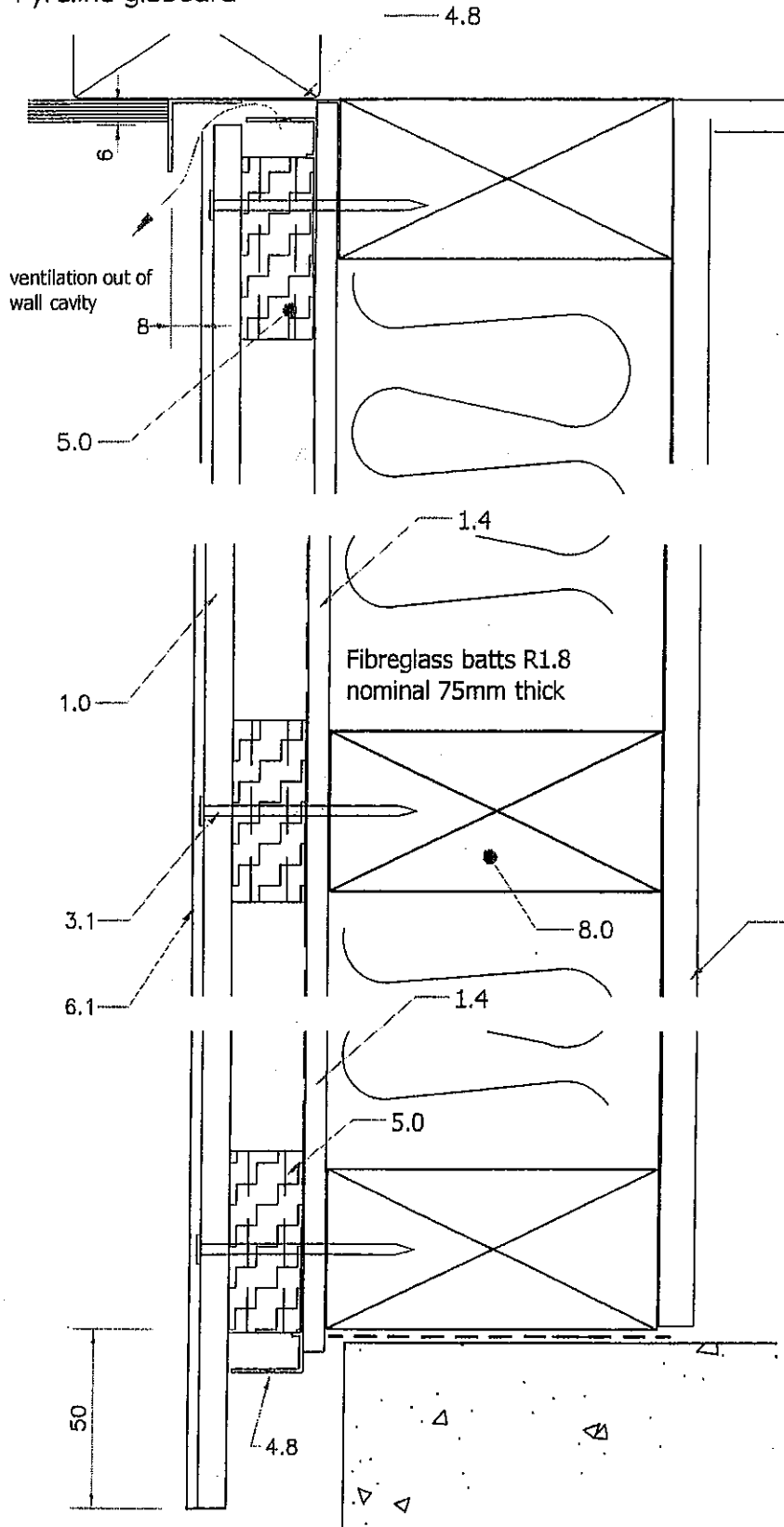
© THIS DRAWING IS THE

Eterpan: Two way fire wall & acoustic wall
 Fire rating: 30/30/30
 Acoustic: dB(A) 30

Key to tags

- 1.0> Eterpan 7.5mm or 9mm
- 1.4> Eterpan 6mm
- 3.1> Fixings 60x2.8d ss clouts
- 4.8> PVC vermin barrier
- 5.0> VentClad batten
- 6.1> Plaster coating
- 8.0> Timber framing

Built up with 6mm Eterpan & 10mm thick
 Fyreline gibboard



Soffit detail
 venting to outside

Detail at Nogs

10mm fyreline gibboard

Detail at Sill
 conc. slab, timber floor similar

Vertical section

PBS DISTRIBUTORS LTD AND MUST NOT BE COPIED WITH OUT PERMISSION

© THIS DRAWING IS THE

VentClad
 With Fire & Acoustic rating

Scale:

1:2

Date:

1/09/06



freephone 0800 2255 727

North Island: 31 Arrenway Drive, Albany. PO Box 302202 NH1330
 tel: 09 477 0960, fax: 09 477 0961

South Island: 42C Maces Rd, PO Box 38021 Christchurch 9
 tel: 03 384 4023, fax 03 384 4026

DWG. No.

VC.2.4.04.FR.AC

Eterpan: Two way fire wall & acoustic wall
 Fire rating: 30/30/30
 Acoustic: dB(A) 30

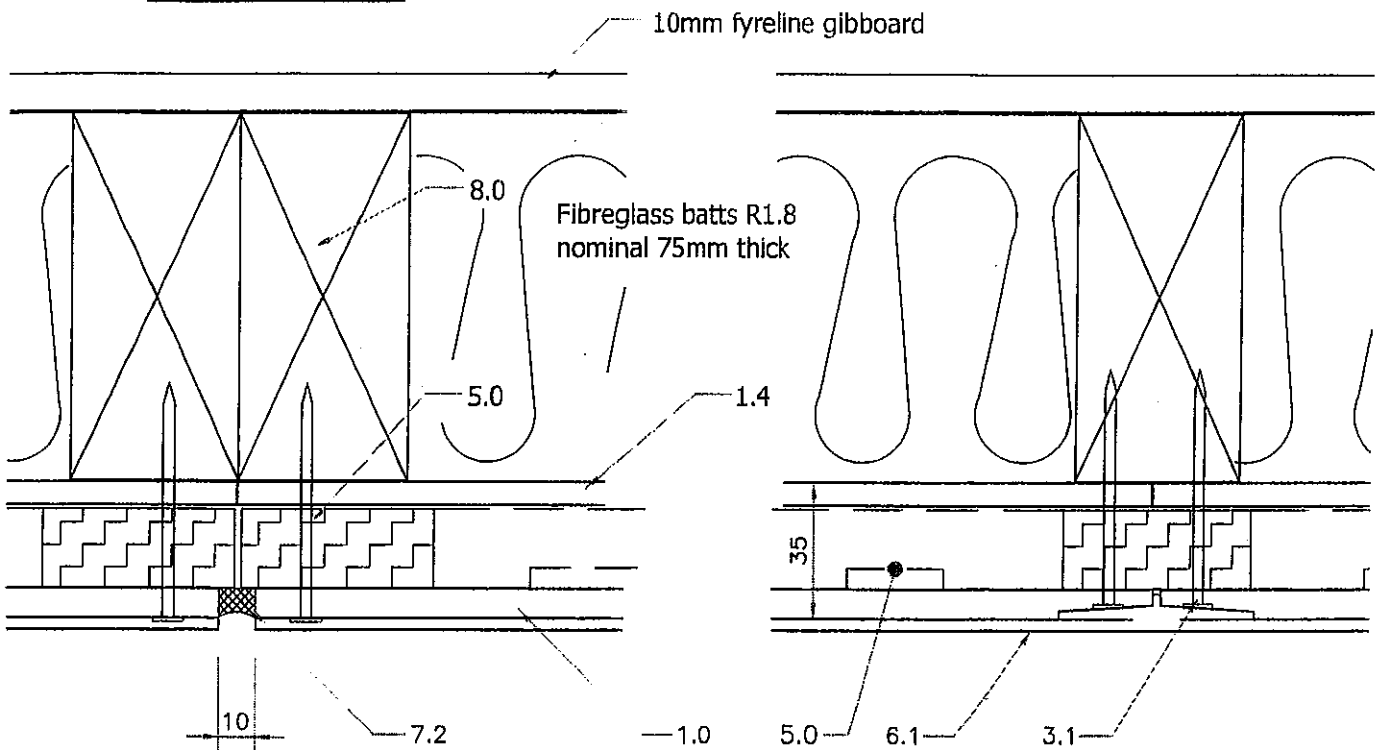
Built up with 6mm Eterpan & 10mm thick
 Fyreline gibboard

Key to tags

- 1.0> Eterpan 7.5mm or 9mm
- 1.4> Eterpan 6mm
- 3.1> Fixings 60x2.8d ss clouts
- 5.0> VentClad batten
- 6.1> Plaster coating
- 7.2> Sealant (FIRE RATED)
- 8.0> Timber framing

Expansion joint
 at double studs

Panel joint at stud



Horizontal section

VentClad

With Fire & Acoustic rating

Scale:

1:2

Date:

1/09/06

DWG. No.

VC.2.5.07.FR.AC



North Island: 31 Arrenway Drive, Albany. PO Box 302202 NH1330

tel: 09 477 0960, fax: 09 477 0961

South Island:

42C Maces Rd, PO Box 38021 Christchurch 9

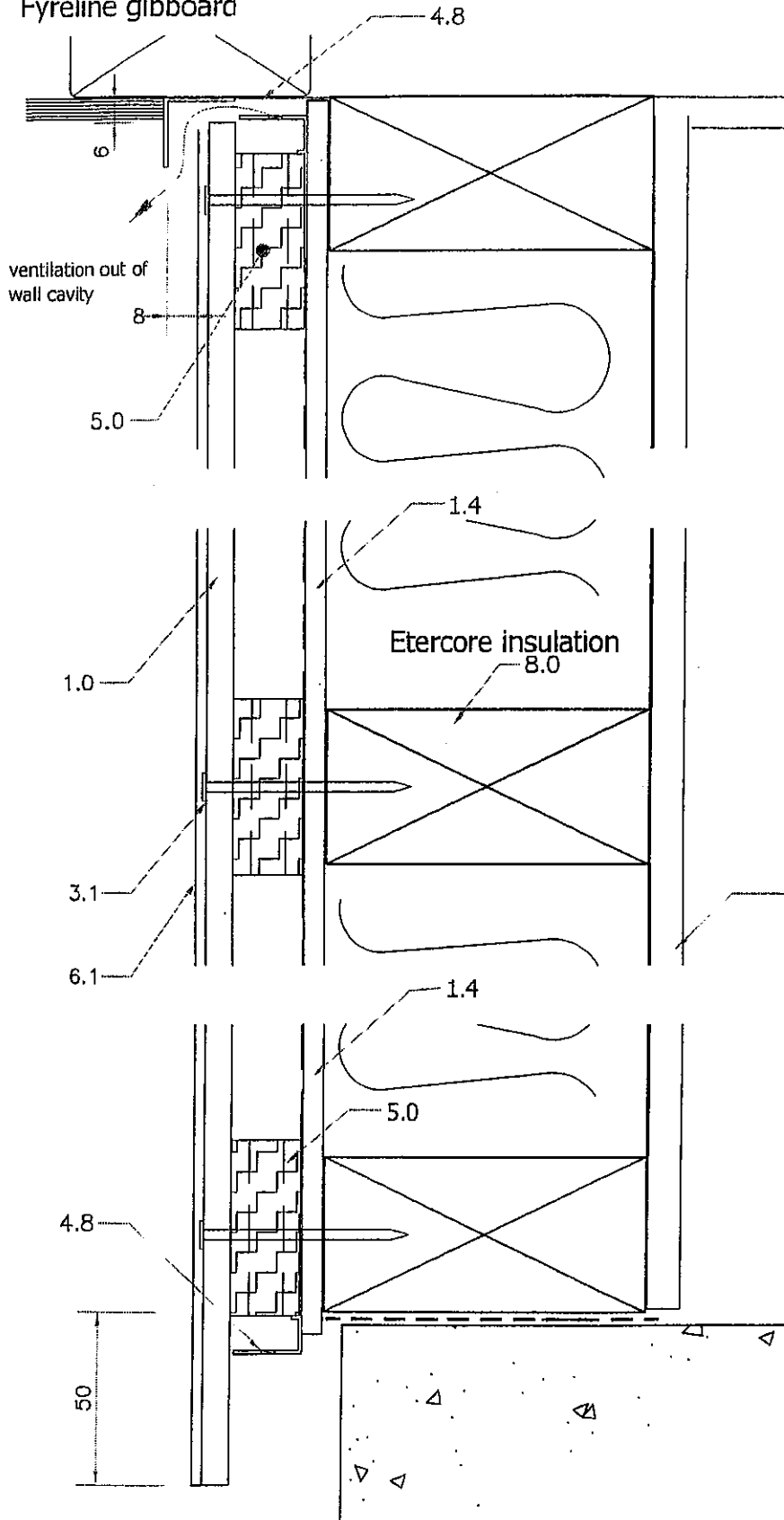
tel: 03 384 4023 fax 03 384 4026

Eterpan: Two way fire wall
 Fire rating: 60/60/60

Key to tags

- 1.0> Eterpan 7.5mm or 9mm
- 1.4> Eterpan 6mm
- 3.1> Fixings 60x2.8d ss clouts
- 4.8> PVC vermin barrier
- 5.0> VentClad batten
- 6.1> Plaster coating
- 8.0> Timber framing

Built up with 6mm Eterpan & 13mm thick
 Fyreline gibboard



Soffit detail
 venting to outside

Detail at Nogs

13mm fyreline gibboard

Detail at Sill
 conc. slab, timber floor similar

Vertical section

© BS DISTRIBUTORS LTD AND MUST NOT BE COPIED WITH OUT PERMISSION

© THIS DRAWING IS THE F

VentClad
 With Fire & Acoustic rating

Scale:	Date:
1:2	1/09/06



North Island: 31 Arrenway Drive, Albany. PO Box 302202 NH1330
 tel: 09 477 0960, fax: 09 477 0961
 South Island: 42C Maces Rd, PO Box 38021 Christchurch 9
 tel: 03 384 4073 fax 03 384 4076

DWG. No.
 VC.2.4.06.FR

Eterpan: Two way fire wall
 Fire rating: 60/60/60

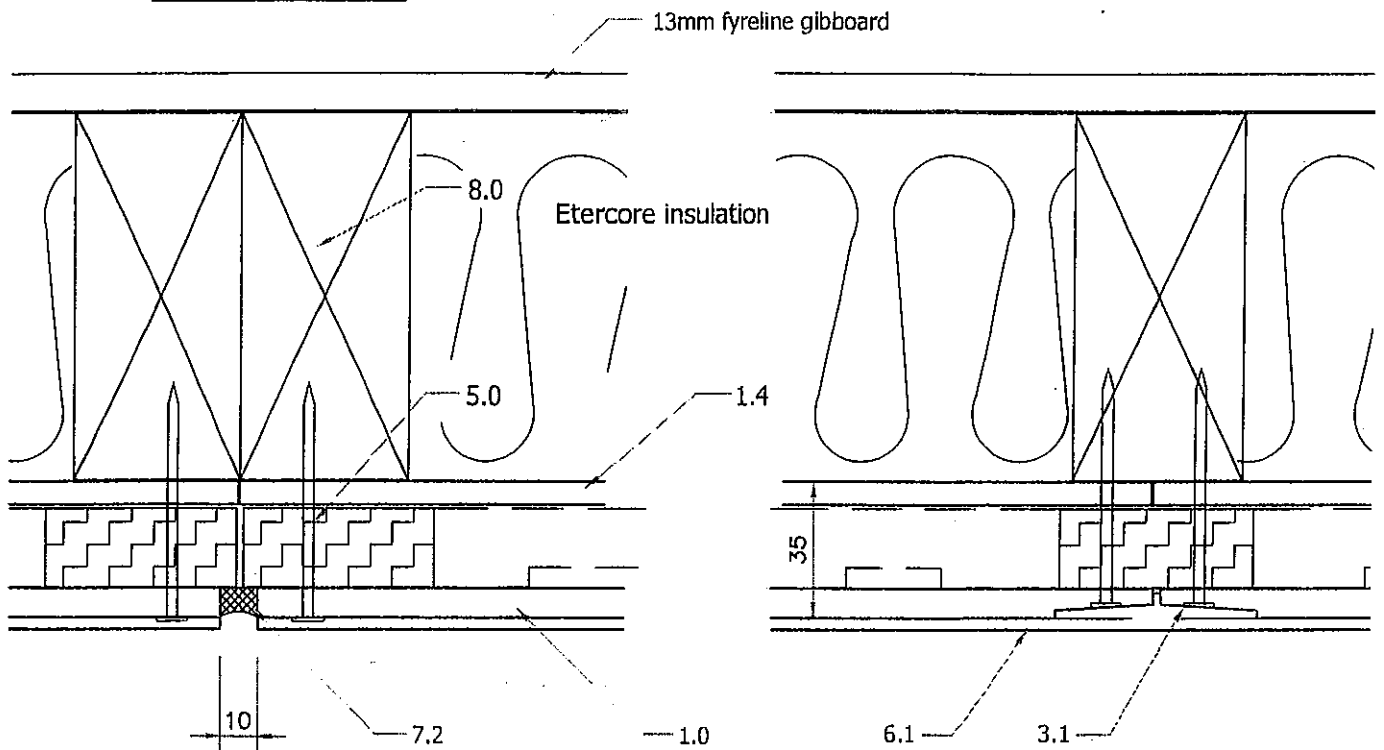
Built up with 6mm Eterpan & 13mm thick
 Fyreline gibboard

Key to tags

- 1.0> Eterpan 7.5mm or 9mm
- 1.4> Eterpan 6mm
- 3.1> Fixings 60x2.8d ss clouts
- 5.0> VentClad batten
- 6.1> Plaster coating
- 7.2> Sealant (FIRE RATED)
- 8.0> Timber framing

Expansion joint
 at double studs

Panel joint at stud



Horizontal section

VentClad

With Fire & Acoustic rating

Scale:

1:2

Date:

1/09/06

North Island: 31 Arrenway Drive, Albany. PO Box 302202 NH1330

tel: 09 477 0960, fax: 09 477 0961

South Island: 42C Maces Rd, PO Box 38021 Christchurch 9

tel: 03 384 4023 Fax 03 384 4026

DWG. No.

VC.2.5.08.FR



freephone 0800 2255 777

PBS DISTRIBUTORS LTD AND MUST NOT BE COPIED WITH OUT PERMISSION

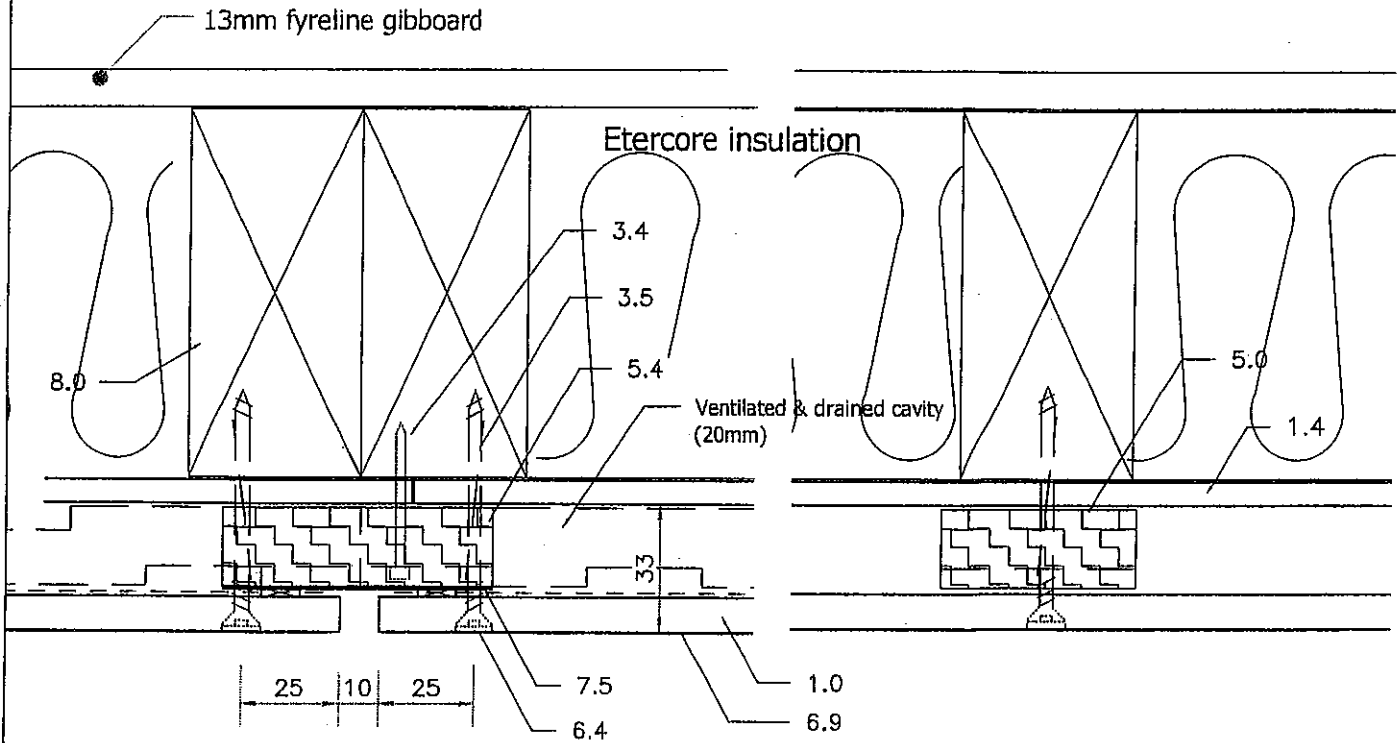
© THIS DRAWING IS THE P.

Eterpan: Two way fire wall
 Fire rating: 60/60/60

Built up with 6mm Eterpan & 13mm thick
 Fireline gibboard

Key to tags

- 1.0> Eterpan 7.5mm or 9mm
- 1.4> Eterpan 6mm thick
- 2.0> Building wrap (Tyvek or equal approved)
- 3.4> 40x2.8Ø galvd. clouts
- 3.5> 10g 60mm csk ss screws
- 4.1> Head flashing (PVC)
- 5.0> VentClad vented batten
- 5.4> VentClad 70mm vented batten
- 6.4> nuplex furring cream with stop compound
- 6.9> Coating system
- 7.1> Expanded foam air seal
- 7.2> Sealant (FIRE RATED)
- 7.5> VC-70mm wide 0.9 ali backer
 c/w 10x6 foam tapes & back tape
- 8.0> Timber framing
- 8.2> 94x44 noggs
- 10.1> Proprietary window system



Vertical Exposed Joint
 (@ 1200crs)

Intermediate Stud

Expressed joint system
 with 9mm Eterpan board

VentClad Exposed Joint System
 Ventilated Cladding System

Scale: 1:2
 Date: 1/12/06

www.pbs.co.nz



freephone 0800 2255 777

North Island: 31 Arrenway Drive, Albany. PO Box 302202 Auckland 0751

tel: 09 477 0960, fax: 09 477 0961

South Island: 42C Maces Rd, PO Box 19013 Christchurch 8241

tel: 03 334 4000, fax: 03 334 4000

DWG. No. VC.3.5.06.FR

PBS DISTRIBUTORS LTD AND MUST NOT BE COPIED WITH OUT PERMISSION

© THIS DRAWING IS THE P.

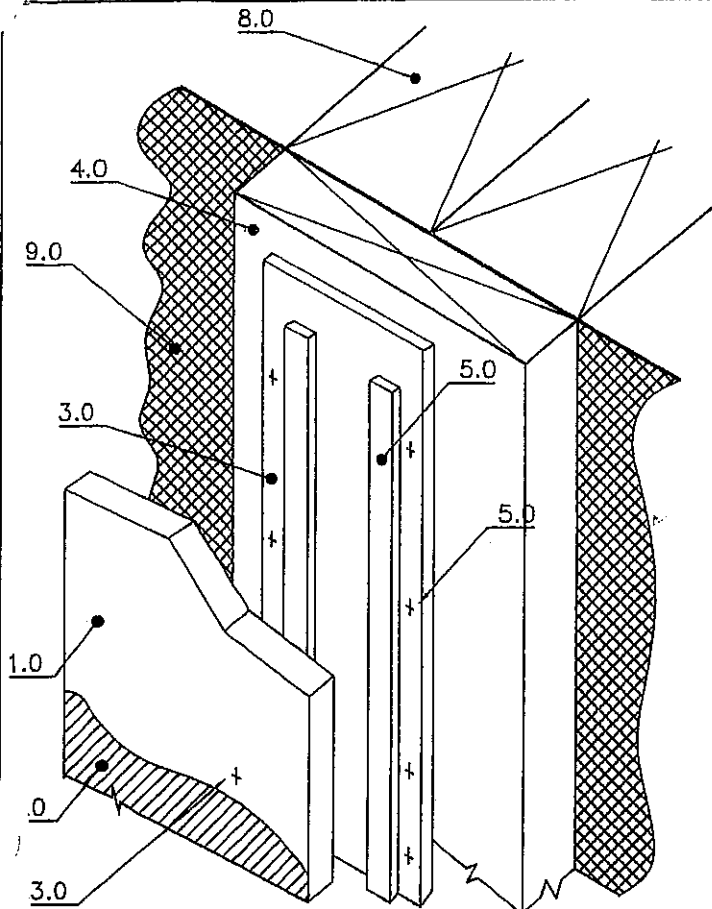
Eterpan - 9.0mm

Data Sheet

VCEX-FR30

Application:

Eterpan is an autoclaved fibre cement board which is suitable for external applications such as wall claddings, fascias and soffits. Eterpan is available unfinished only and is a versatile board that is extremely easy to handle and work. Eterpan meets the performance criteria of the N.Z.B.C: B2 Durability for 50 years; C3 Spread of Fire; E2 External moisture and is a non-hazardous material in terms of clause F2 Hazardous Building material.



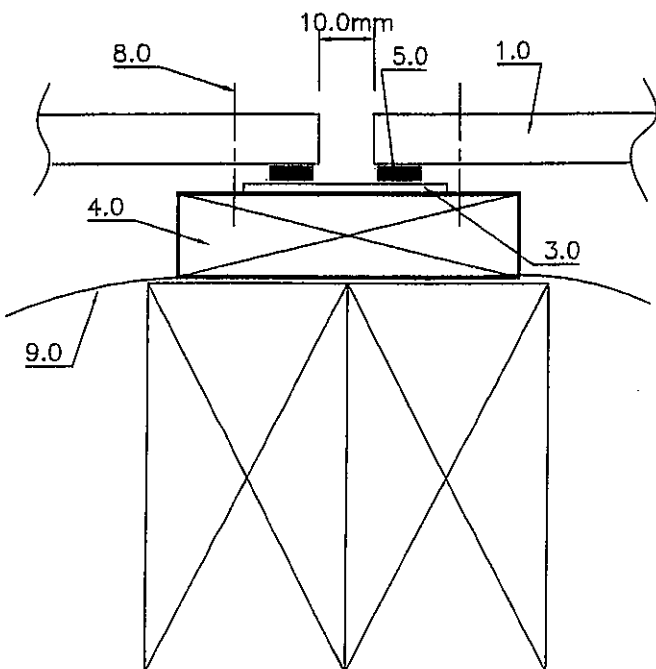
General Arrangement

Technical Detail:

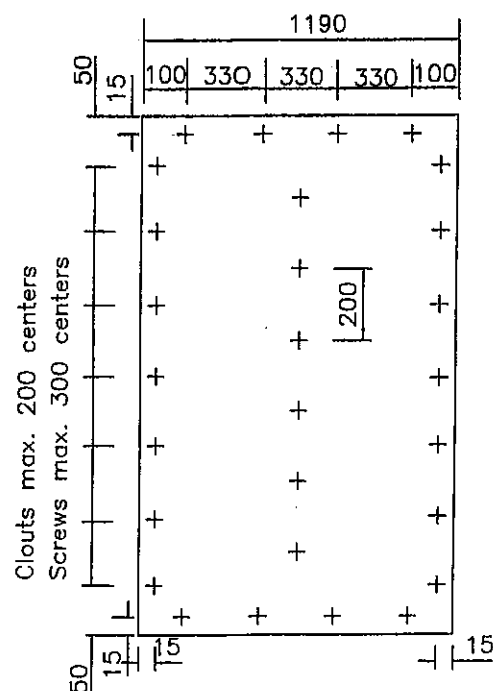
FRR 30/30/30

- 1.0 Eterpan 7.5mm or 9.0mm thick
- 2.0 Paint system
- 3.0 Aluminium socket 50.0x1.0mm
- 4.0 Vent-clad batten 70.0x20.0mm
- 5.0 Tesa foam tape 10mmx6mm
- 6.0 Galv clouts 40.0mmx2.8mm
- 7.0 Stainless steel screws 60mmx10 swg
- 8.0 Double studs at expressed joints, max 1200mm cntrs. Min ex 100 x 50
- 9.0 Building paper - Fast Wrap or equal

Note: Refer to structural engineer for sizing of studs and nogs according to wind loading requirement.



HORIZONTAL SECTION



Detail B: Typical Fixing Layout for 2400 x 1190 sheet

pbs distributors

North Island: 31 Arrenway drive, Albany, PO Box 302202 NH 1330
tel: 09 477 0960, fax: 09 477 0961

South Island: 42C Maces Road, PO Box 38021 Christchurch 9
tel: 03 384 4023, fax: 03 384 4026

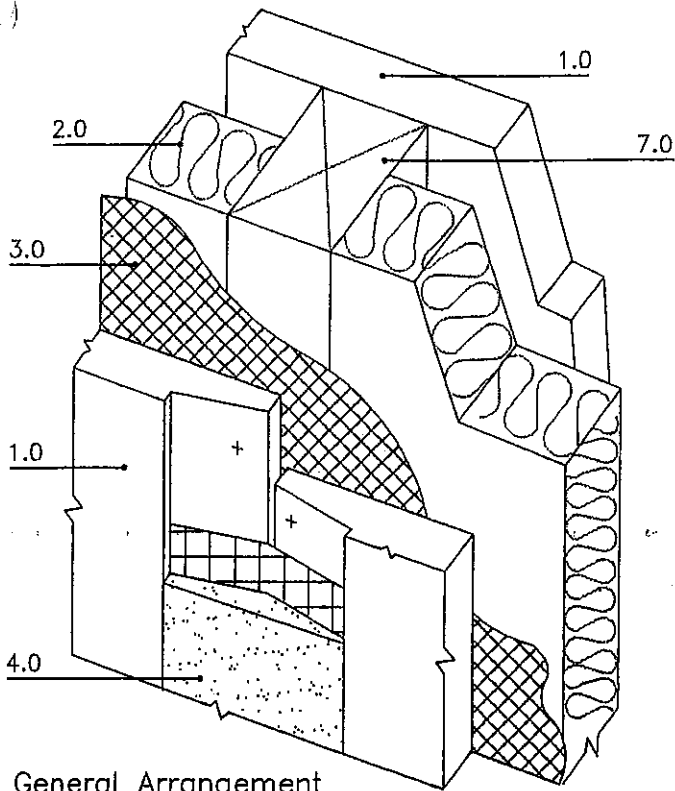
Please call 0800 225 727

Eterpan: Two Way Fire Wall - 6.0mm

Data Sheet
EP60.56

Application:

Eterpan is an autoclaved fibre cement board which is suitable for external applications such as wall claddings, fascias and soffits. Eterpan is available unfinished and is a versatile board that is extremely easy to handle and work. Eterpan meets the performance criteria of the N.Z.B.C: B2 Durability for 50 years; C3 Spread of Fire; E2 External moisture and is a non-hazardous material in terms of clause F2 Hazardous Building material.



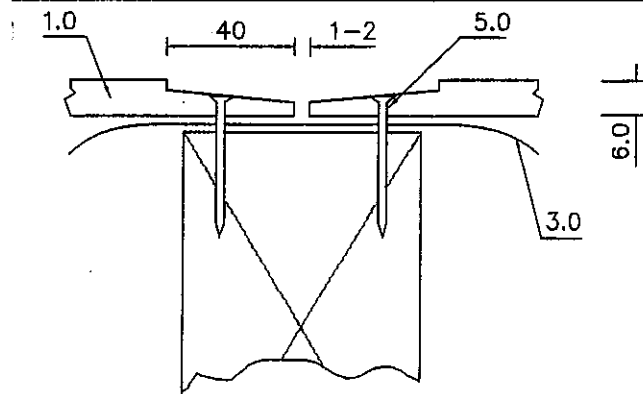
General Arrangement

Technical Detail:

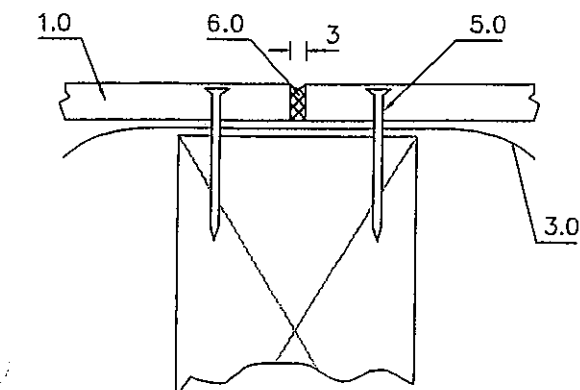
Fire Rating: 30/30/30

Ref BRANZ FR2710

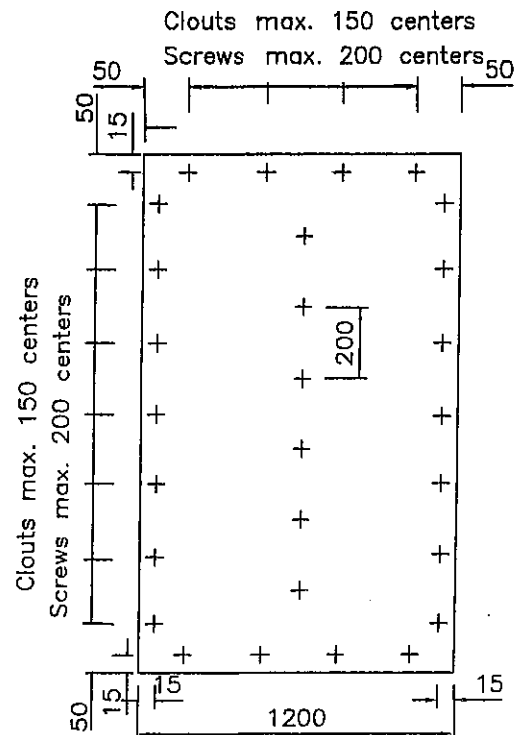
- 1.0 Eterpan 6.0mm thick
- 2.0 Etercore insulation 30mm thick
- 3.0 Building paper
- 4.0 Joint flushing compound
(call Eterpan sales on
0508 383 77 26 for a full list
of approved joint stopping systems)
- 5.0 Stainless steel clouts 40x2.8mm
Distance from edge 12mm
Maximum centres 150mm
Distance from corner 50mm
- 6.0 Promaseal fire rated silicone sealant
or
Fireban polyurethane sealant
- 7.0 No.1 Framing grade pinus radiata
For framing layout refer to detail C



Detail A: Flush Joint Detail



Detail B: Butt Joint Detail



Detail C: Fixing Layout

pbs distributors

North Island: 31 Arrenway drive, Albany, PO Box 302202 NH 1330
tel: 09 477 0960, fax: 09 477 0961

South Island: 42C Maces Road, PO Box 38021 Christchurch 9
tel: 03 384 4023, fax: 03 384 4026

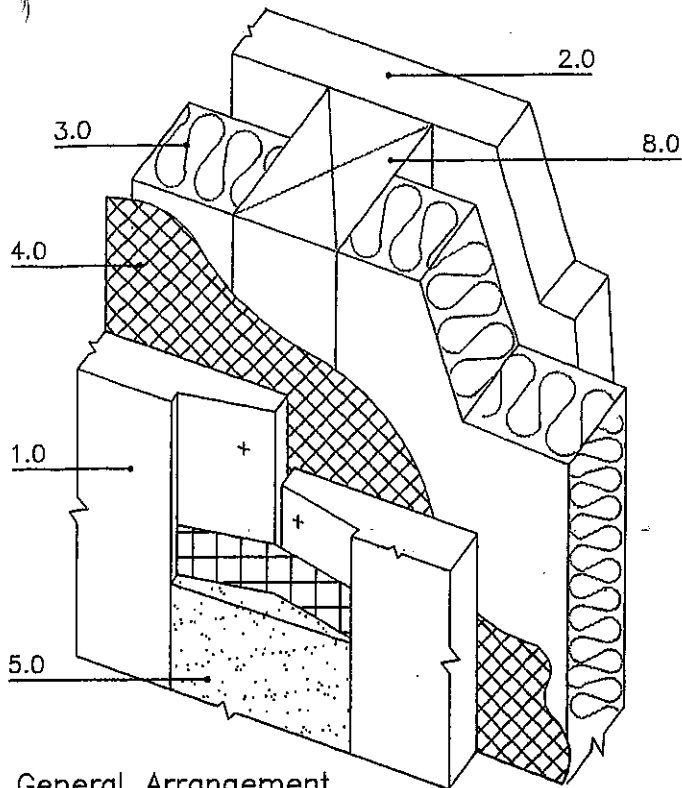
Phone toll free 0800 2255 727

Eterpan: Two Way Fire Wall - 6.0mm

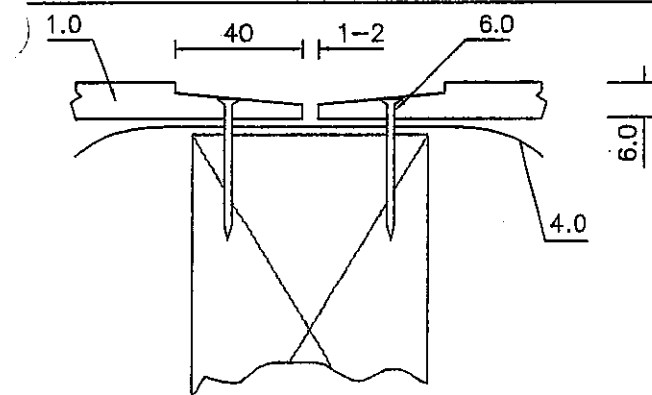
Data Sheet
EP60.57

Application:

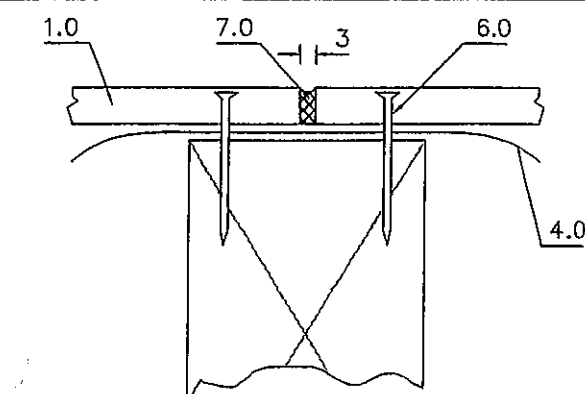
Eterpan is an autoclaved fibre cement board which is suitable for external applications such as wall claddings, fascias and soffits. Eterpan is available unfinished and is a versatile board that is extremely easy to handle and work. Eterpan meets the performance criteria of the N.Z.B.C: B2 Durability for 50 years; C3 Spread of Fire; E2 External moisture and is a non-hazardous material in terms of clause F2 Hazardous Building material.



General Arrangement



Detail A: Flush Joint Detail



Detail B: Butt Joint Detail

Technical Detail:

Fire Rating: 30/30/30

Ref BRANZ FR2710

1.0 Eterpan 6.0mm thick
2.0 Fyreline 10.0mm thick
Refer Winstone spec. GBTL 30a

3.0 Fibreglass batts R1.8 nom. 75mm thick

4.0 Building paper

5.0 Joint flushing compound

(call Eterpan sales on

0508 383 77 26 for a full list

of approved joint stopping systems)

6.0 Stainless steel clouts 40x2.8mm

Distance from edge 12mm

Maximum centres 150mm

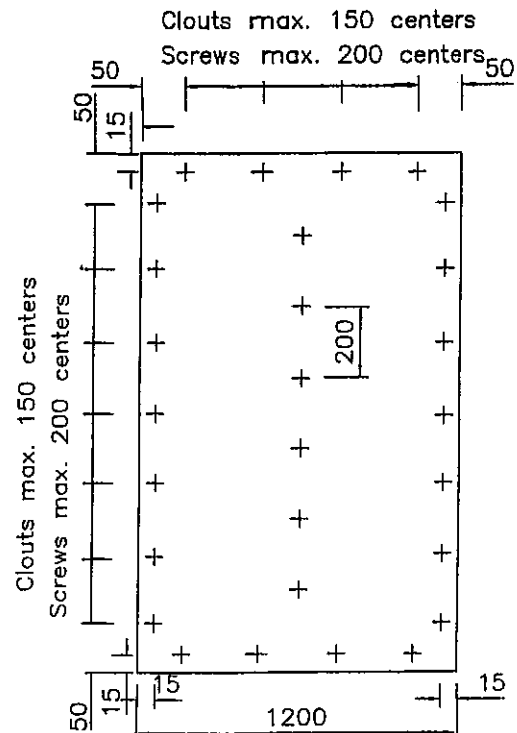
Distance from corner 50mm

7.0 Promaseal fire rated silicone sealant or

Fireban polyurethane sealant

8.0 No.1 Framing grade pinus radiata

For framing layout refer to detail C



Detail C: Fixing Layout

pbs distributors

North Island: 31 Arrenway drive, Albany, PO Box 302202 NH 1330

tel: 09 477 0960, fax: 09 477 0961

South Island: 42C Maces Road, PO Box 38021 Christchurch 9

tel: 03 384 4023, fax: 03 384 4026

Phone toll free 0800 2255 727

Eterpan: Two Way Fire Wall — 7.5mm

Data Sheet
EP75.57

Application:

Eterpan is an autoclaved fibre cement board which is suitable for external applications such as wall claddings, fascias and soffits. Eterpan is available unfinished and is a versatile board that is extremely easy to handle and work. Eterpan meets the performance criteria of the N.Z.B.C: B2 Durability for 50 years; C3 Spread of Fire; E2 External moisture and is a non-hazardous material in terms of clause F2 Hazardous Building material.

Technical Detail:

Fire Rating: 30/30/30

Ref BRANZ FP2579 & FP 99/1349.

1.0 Eterpan 7.5mm thick
2.0 Fyreline 9.5mm thick
Refer Winstone spec. GBTL 30a

3.0 Fibreglass batts R1.8 nom. 75mm thick

4.0 Building paper

5.0 Joint flushing compound
(call Eterpan sales on

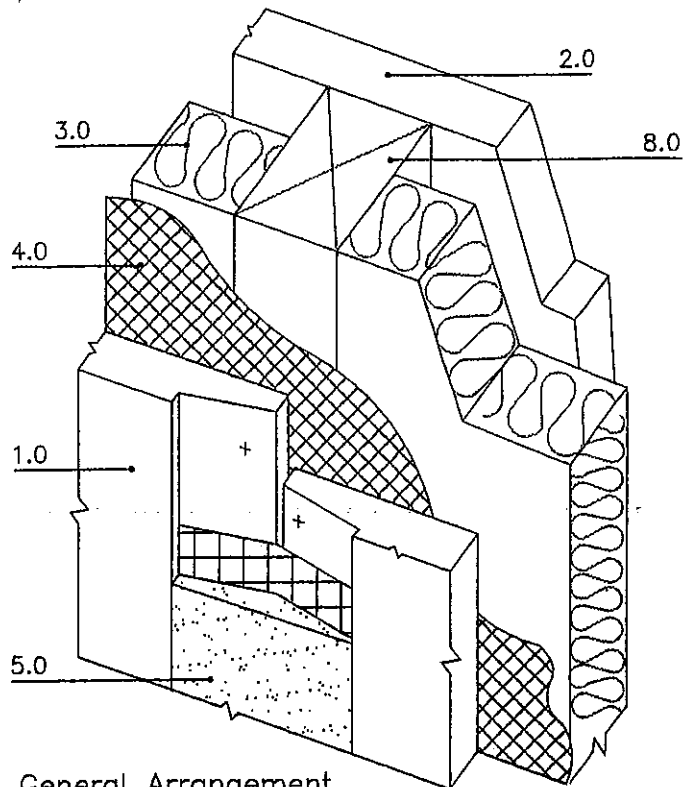
0508 383 77 26 for a full list
of approved joint stopping systems)

6.0 Stainless steel clouts 40x2.8mm
Distance from edge 12mm
Maximum centres 150mm

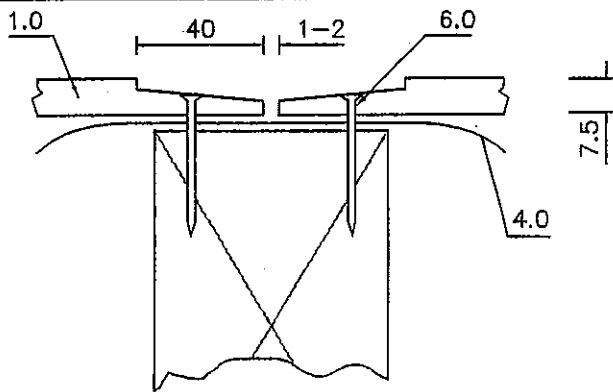
Distance from corner 50mm

7.0 Promaseal fire rated silicone sealant
or
Fireban polyurethane sealant

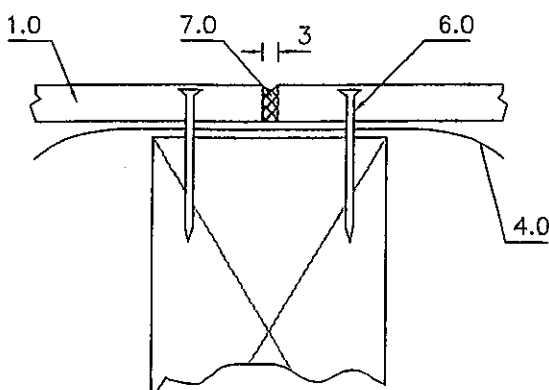
8.0 No.1 Framing grade pinus radiata
For framing layout refer to detail C



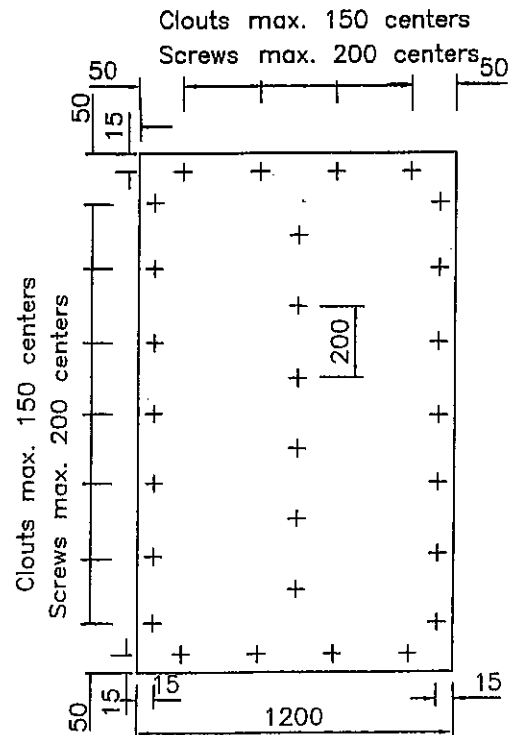
General Arrangement



Detail A: Flush Joint Detail



Detail B: Butt Joint Detail



Detail C: Fixing Layout

North Island: 31 Arrenway drive, Albany, PO Box 302202 NH 1330
tel: 09 477 0960, fax: 09 477 0961
South Island: 42C Maces Road, PO Box 38021 Christchurch 9
tel: 03 384 4023, fax: 03 384 4026

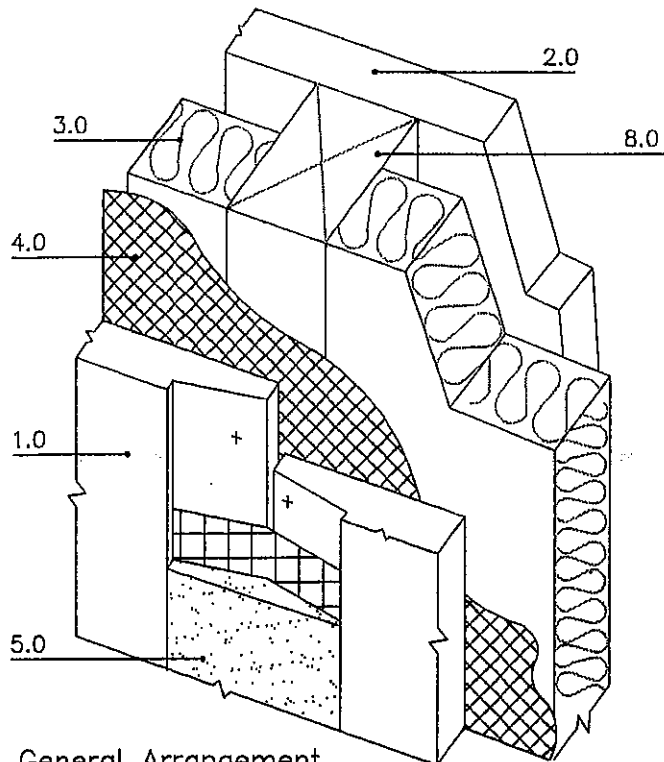
pbs distributors

Eterpan: Two Way Fire Wall - 7.5mm

Data Sheet
EP75.58

Application:

Eterpan is an autoclaved fibre cement board which is suitable for external applications such as wall claddings, fascias and soffits. Eterpan is available unfinished only and is a versatile board that is extremely easy to handle and work. Eterpan Multiboard meets the performance criteria of the N.Z.B.C: B2 Durability for 50 years; C3 Spread of Fire; E2 External moisture and is a non-hazardous material in terms of clause F2 Hazardous Building material.



General Arrangement

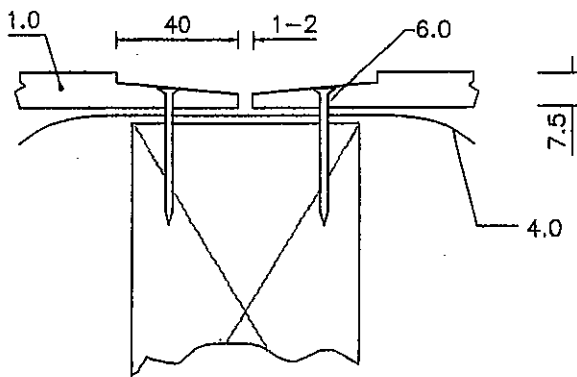
Technical Detail:

Fire Rating: 60/60/60

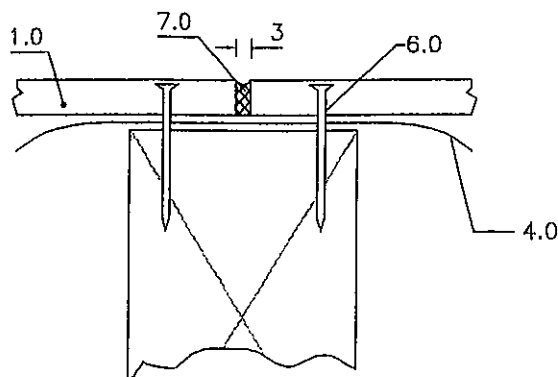
Ref BRANZ FP2579 & FP 99/1349.

- 1.0 Eterpan 7.5mm thick
 - 2.0 Fyreline 13.0mm thick
- Refer Winstone spec. GBTL 60a

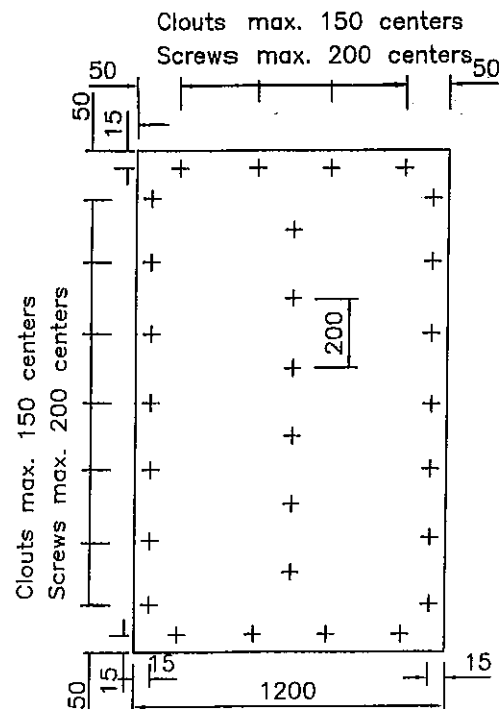
- 3.0 Etercore mineral fibre insulation.
- 4.0 Building paper
- 5.0 Joint flushing compound
(call Eterpan sales on
0508 383 77 26 for a full list
of approved joint stopping systems)
- 6.0 Stainless steel clouts 40x2.8mm
Distance from edge 12mm
Maximum centres 150mm
Distance from corner 50mm
- 7.0 Promaseal fire rated silicone sealant
or
Fireban polyurethane sealant
- 8.0 No.1 Framing grade pinus radiata
For framing layout refer to detail C



Detail A: Flush Joint Detail



Detail B: Butt Joint Detail



Detail C: Fixing Layout

pbs distributors

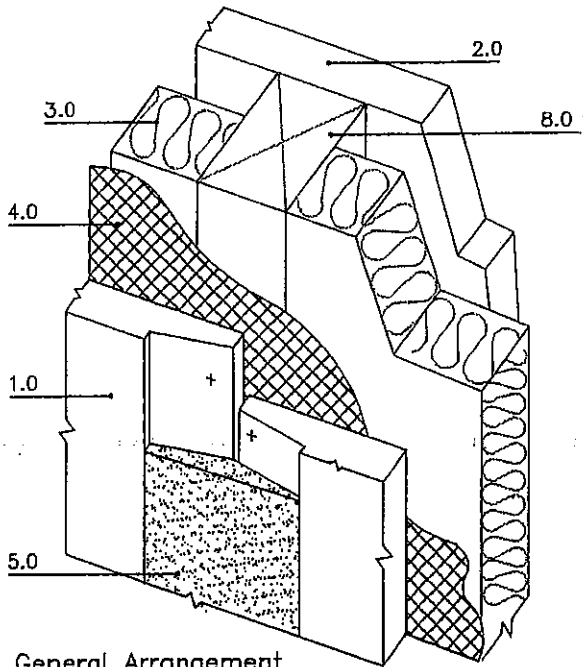
North Island: 31 Arrenway drive, Albany, PO Box 302202 NH 1330
tel: 09 477 0960, fax: 09 477 0961
South Island: 42C Macces Road, PO Box 38021 Christchurch 9
tel: 03 384 4023, fax: 03 384 4026
Phone toll free 0800 2255 727

Eterpan: Two Way Loadbearing

Application: Fire Wall – 7.5mm

Eterpan is an autoclaved fibre cement board which is suitable for external applications such as wall claddings, fascias and soffits. Eterpan Multiboard is available unfinished only and is a versatile board that is extremely easy to handle and work. Eterpan Multiboard meets the performance criteria of the N.Z.B.C: B2 Durability for 50 years; C3 Spread of Fire; E2 External moisture and is a non-hazardous material in terms of clause F2 Hazardous Building material.

Data Sheet
EP75.59



Technical Detail:

Fire Rating: 30/30/30

1.0 }
to } Refer to data sheet
7.0 } EP75.57

8.0 Refer to Table 1.0

Fire Rating: 60/60/60

1.0 }
to } Refer to data sheet
7.0 } EP75.58

8.0 Refer to Table 2.0

Table 1.0: Ultimate Strength* (KN) for Fire Emergency Loading of 30 minutes
(Radiata Pine F5 Studs @ 600 c/c – Nogs at 800 c/c)

Actual Stud size	Wall Height (m)									
	2.4	2.7	3.0	3.3	3.6	3.9	4.2	4.5	4.8	
mmxmm										
90x45	19.1	16.1	13.6	11.5	9.8	8.4	7.2	6.2	5.4	
120x45	37.1	32.8	28.9	25.3	22.2	19.5	17.2	15.2	13.4	
140x45	50.2	45.6	41.1	36.9	33.0	29.4	26.3	23.5	21.0	

Table 2.0: Ultimate Strength* (KN) for Fire Emergency Loading of 60 minutes
(Radiata Pine F5 Studs @ 600 c/c – Nogs at 800 c/c)

Actual Stud size	Wall Height (m)										
	2.4	2.7	3.0	3.3	3.6	3.9	4.2	4.5	4.8	5.1	
mmxmm											
90x45	5.2	4.3	3.6	2.9	2.4	–	–	–	–	–	
120x45	12.6	11.0	9.6	8.3	7.2	6.2	5.4	4.6	4.0	3.4	
140x45	18.6	16.7	15.0	13.3	11.8	10.4	9.2	8.1	7.1	6.3	

*Refer to Section 2.4.3.4 of NZS 4203:1992

Note that the walls must be separately designed for load combinations not including fire emergency loading.

pbs distributors

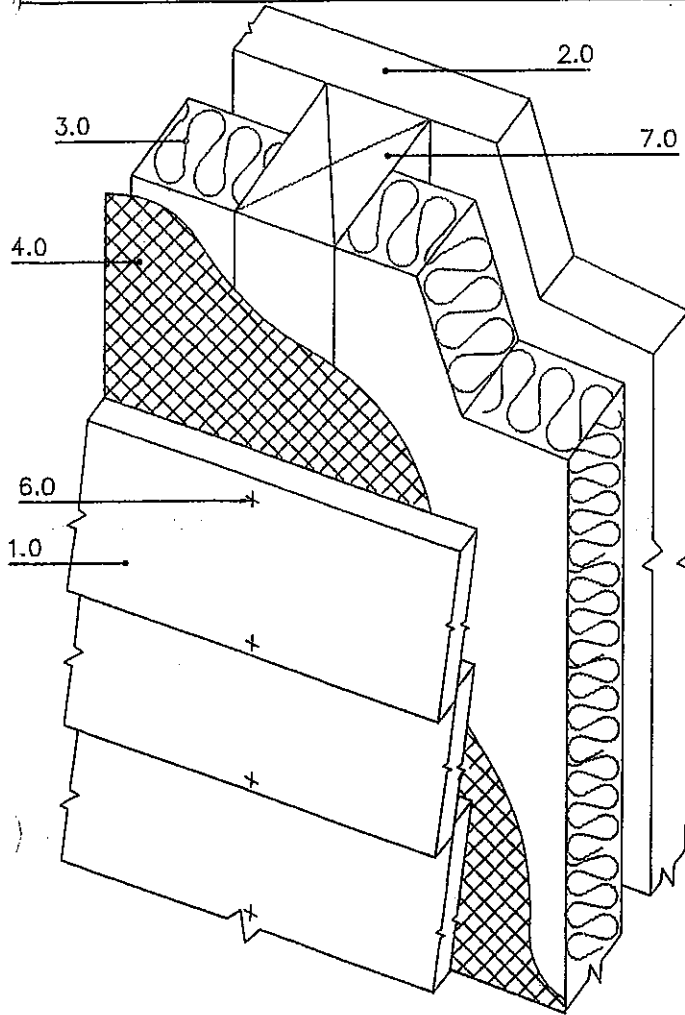
North Island: 31 Arrenway drive, Albany, PO Box 302202 NH 1330
tel: 09 477 0960, fax: 09 477 0961
South Island: 42C Maces Road, PO Box 38021 Christchurch 9
tel: 03 384 4023, fax: 03 384 4026
Phone toll free 0800 2255 727

Eterpan: Two Way Fire Wall - 7.5mm Siding

Data Sheet
EP75.70

Application:

Eterpan is an autoclaved fibre cement board which is suitable for external applications such as wall claddings, fascias and soffits. Eterpan is available unfinished and is a versatile board that is extremely easy to handle and work. Eterpan meets the performance criteria of the N.Z.B.C: B2 Durability for 50 years; C3 Spread of Fire; E2 External moisture and is a non-hazardous material in terms of clause F2 Hazardous Building material.



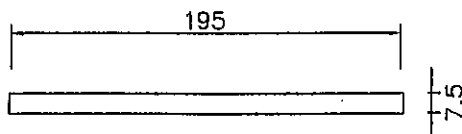
General Arrangement

Technical Detail:

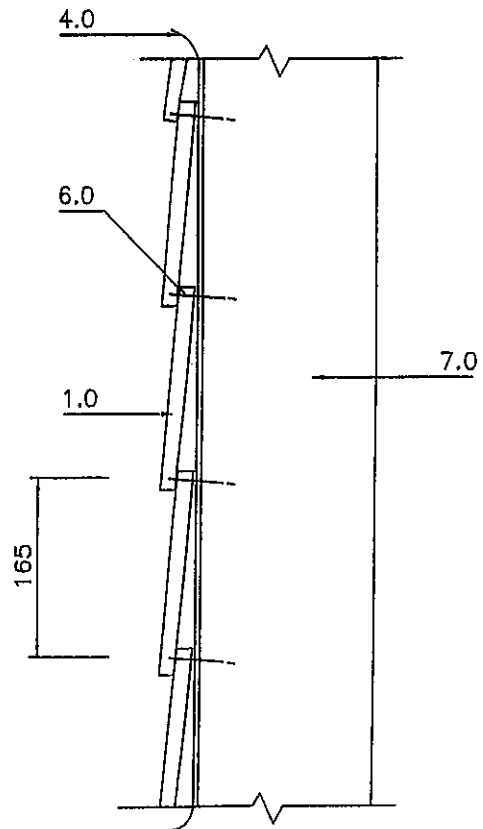
Fire Rating: 30/30/30

Ref BRANZ FR2710.

- 1.0 Eterpan 7.5mm thick
- 2.0 Fyreline 9.5mm thick
Refer Winstone spec. GBTL 30a
- 3.0 Fibreglass batts R1.8 nom. 75mm thick
- 4.0 Building paper
- 5.0 Joint flushing compound
(call Eterpan sales on
0508 383 77 26 for a full list
of approved joint stopping systems)
- 6.0 Steel clouts 40x2.8mm
Distance from edge 12mm
Maximum centres 150mm
Distance from corner 50mm
- 7.0 No.1 Framing grade pinus radiata
For framing layout refer to detail C



Detail A: Sheet Profile



Detail B: Panel Arrangement

pbs distributors

North Island: 31 Arrenway drive, Albany, PO Box 302202 NH 1330
tel: 09 477 0960, fax: 09 477 0961

South Island: 42C Maces Road, PO Box 38021 Christchurch 9
tel: 03 384 4023, fax: 03 384 4026

Eterpan Multiboard: Two Way Fire Wall - 9.0mm

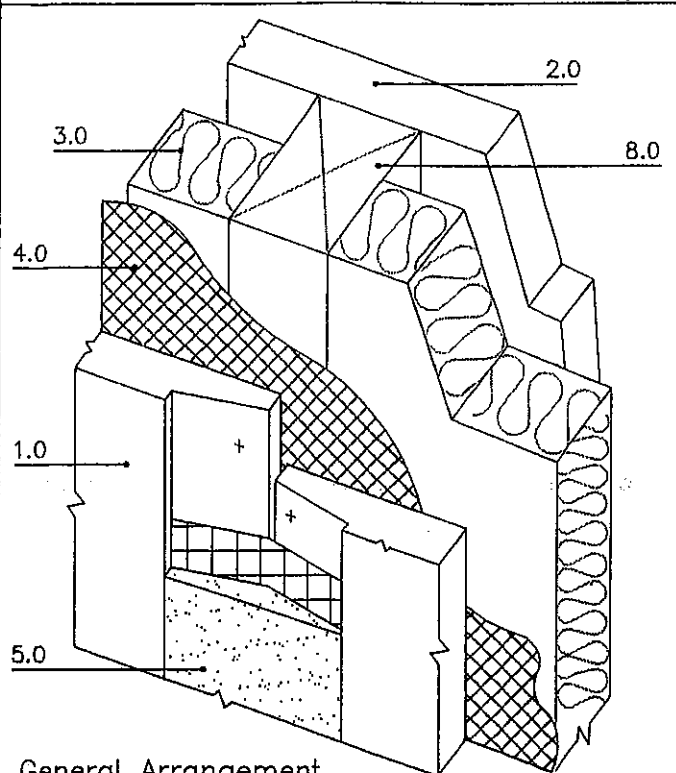
Data Sheet
EP90.52

Application:

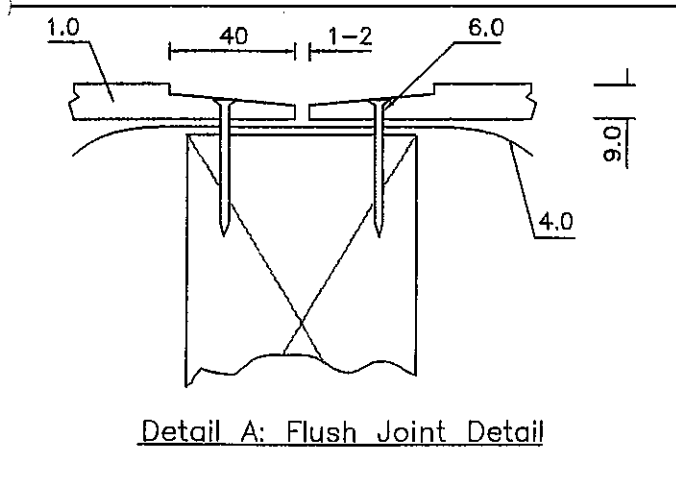
Eterpan Multiboard is an autoclaved fibre cement board which is suitable for external applications such as wall claddings, fascias and soffits.

Eterpan Multiboard is available unfinished and is a versatile board that is extremely easy to handle and work.

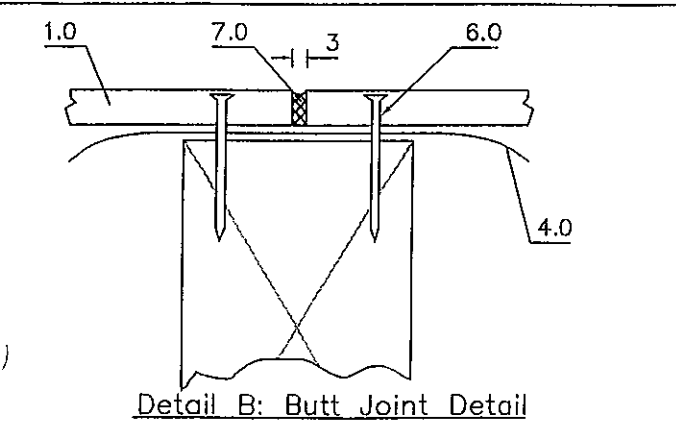
Eterpan Multiboard meets the performance criteria of the N.Z.B.C: B2 Durability for 50 years; C3 Spread of Fire; E2 External moisture and is a non-hazardous material in terms of clause F2 Hazardous Building material.



General Arrangement



Detail A: Flush Joint Detail



Detail B: Butt Joint Detail

Technical Detail:

Fire Rating: 30/30/30

Ref BRANZ FP2387; FP2388 & 97/1136

1.0 Eterpan Multiboard 9.0mm thick
2.0 Fyreline 9.5mm thick

or
Elephant fireboard 9.5mm thick
Refer spec. EBTL30

3.0 Fibreglass batts R1.8 nom.75mm thick

4.0 Standard building paper

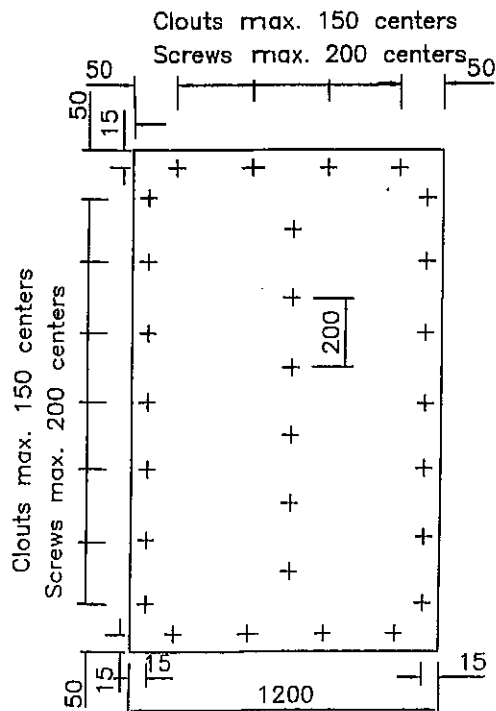
5.0 Joint flushing compound
(call Eterpan sales on

0508 383 77 26 for a full list
of approved joint stopping systems)

6.0 Stainless steel clouts 40x2.8mm
Distance from edge 12mm
Maximum centres 150mm

Distance from corner 50mm
7.0 Promaseal fire rated silicone sealant
or
Fireban polyurethane sealant

8.0 No.1 Framing grade pinus radiata
For framing layout refer to detail C



Detail C: Fixing Layout

pbs distributors

North Island: 31 Arrenway drive, Albany, PO Box 302202 NH 1330

tel: 09 477 0960, fax: 09 477 0961

South Island: 42C Maces Road, PO Box 38021 Christchurch 9

tel: 03 384 4023, fax: 03 384 4026

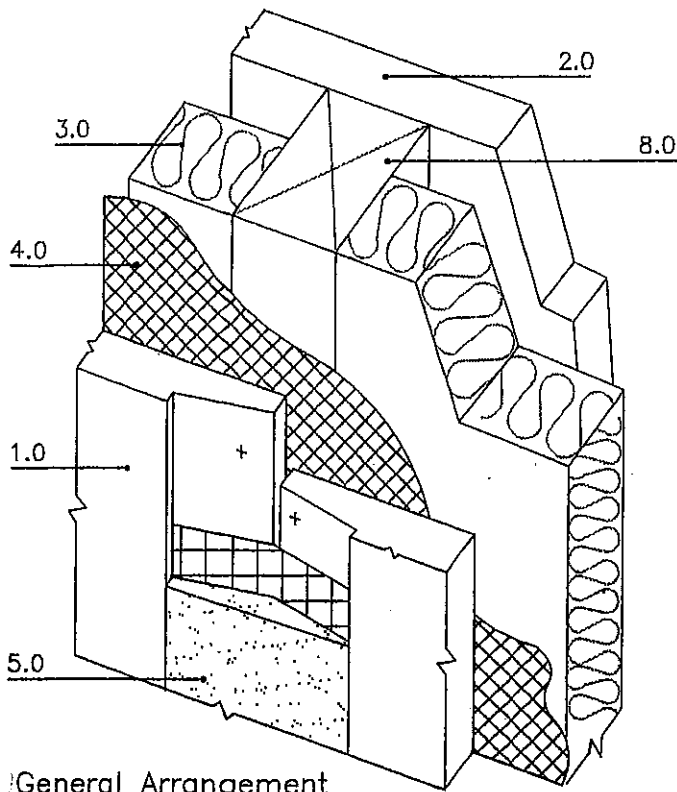
Phone toll free 0800 2255 727

Eterpan Multiboard: Two Way Fire Wall - 9.0mm

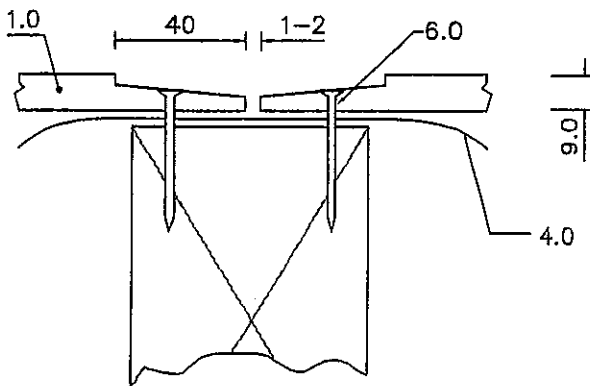
Data Sheet
EP90.53

Application:

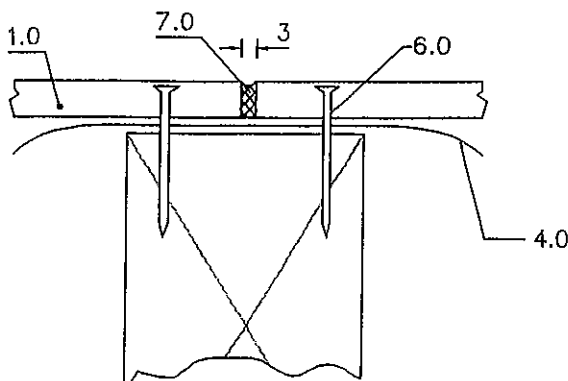
Eterpan Multiboard is an autoclaved fibre cement board which is suitable for external applications such as wall claddings, fascias and soffits. Eterpan Multiboard is available unfinished only and is a versatile board that is extremely easy to handle and work. Eterpan Multiboard meets the performance criteria of the N.Z.B.C: B2 Durability for 50 years; C3 Spread of Fire; E2 External moisture and is a non-hazardous material in terms of clause F2 Hazardous Building material.



General Arrangement



Detail A: Flush Joint Detail



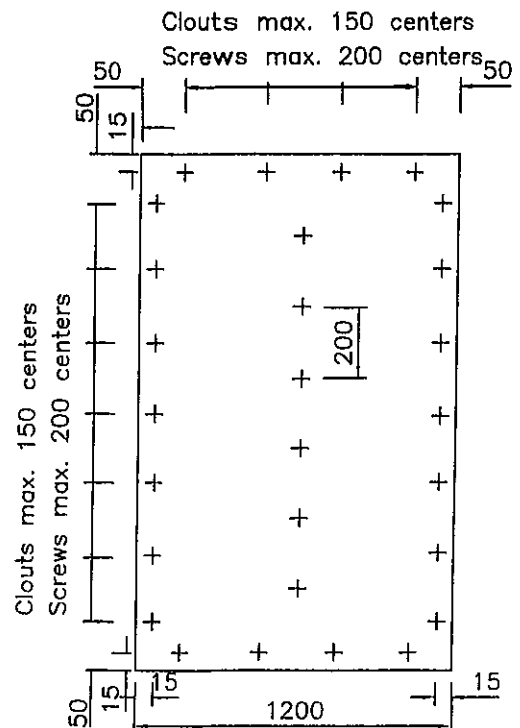
Detail B: Butt Joint Detail

Technical Detail:

Fire Rating: 60/60/60

Ref BRANZ FP2387; FP2388 & 97/1136

- | | |
|---|-------------|
| 1.0 Eterpan Multiboard | 9.0mm thick |
| 2.0 Fyreline | 12mm thick |
| Refer Winstone spec. GBT60a | |
| or | |
| Elephant fireboard | 15mm thick |
| Refer spec. EBTL60 | |
| 3.0 Etercore | 30mm thick |
| 4.0 Flamestop 650 building paper | |
| 5.0 Joint flushing compound | |
| (call Eterpan sales on 0508 383 77 26 for a full list of approved joint stopping systems) | |
| 6.0 Stainless steel clouts 40x2.8mm | |
| Distance from edge | 12mm |
| Maximum centres | 150mm |
| Distance from corner | 50mm |
| 7.0 Promaseal fire rated silicone sealant or | |
| Fireban polyurethane sealant | |
| 8.0 No.1 Framing grade pinus radiata | |
| For framing layout refer to detail C | |



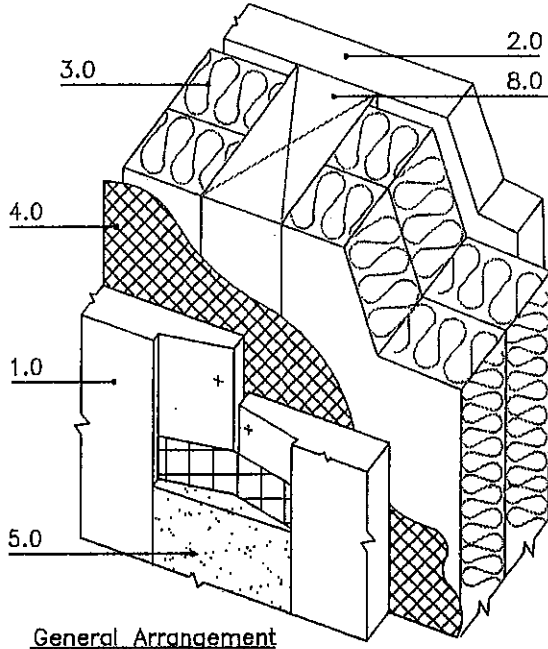
Detail C: Fixing Layout

Eterpan: Two Way Fire Wall - 9.0mm

Data Sheet
EP90.54

Application:

Eterpan is an autoclaved fibre cement board which is suitable for external applications such as wall claddings, fascias and soffits. Eterpan is available unfinished only and is a versatile board that is extremely easy to handle and work. Eterpan meets the performance criteria of the N.Z.B.C: B2 Durability for 50 years; C3 Spread of Fire; E2 External moisture and is a non-hazardous material in terms of clause F2 Hazardous Building material.

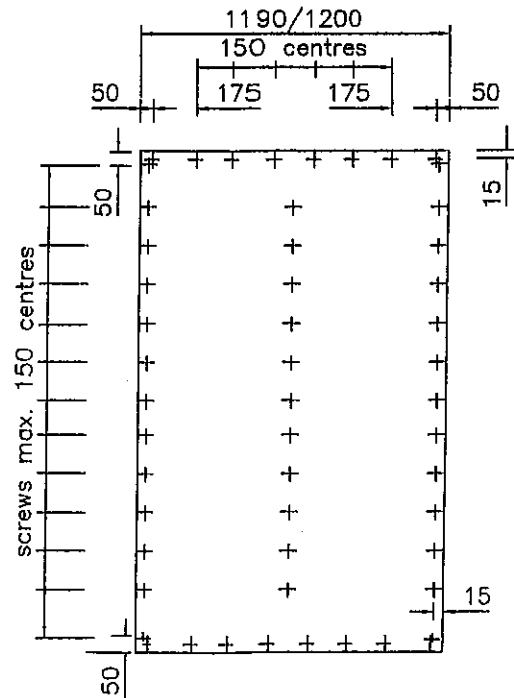
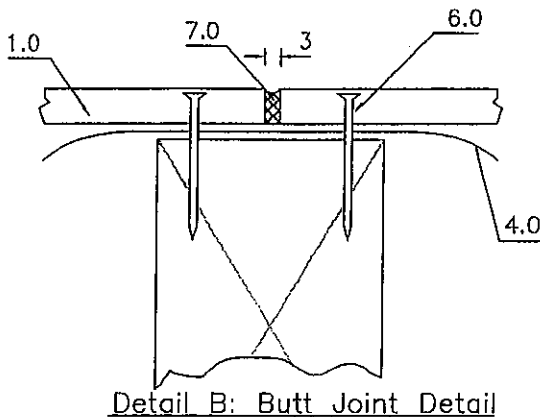
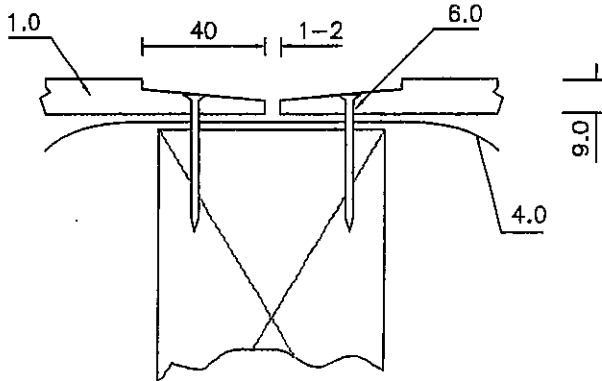


Technical Detail:

Fire Rating: 90/90/90

Ref BRANZ FP2387; FP2388 & 97/1136

- 1.0 Eterpan 9.0mm thick
- 2.0 Fyreline 12mm thick
Refer Winstone spec. GBT60a
- 3.0 Etercore 2x30mm thick
- 4.0 Fastwrap building paper
- 5.0 Joint flushing compound
(call Eterpan sales on 0508 383 77 26 for a full list of approved joint stopping systems)
- 6.0 Stainless steel screws 40x2.8mm
Distance from edge 12mm
Maximum centres 150mm
Distance from corner 50mm
- 7.0 Promaseal fire rated silicone sealant or
Fireban polyurethane sealant
- 8.0 No.1 Framing grade pinus radiata
For framing layout refer to detail C



pbs distributors

North Island: 31 Arrenway drive, Albany, PO Box 302202 NH 1330
tel: 09 477 0960, fax: 09 477 0961

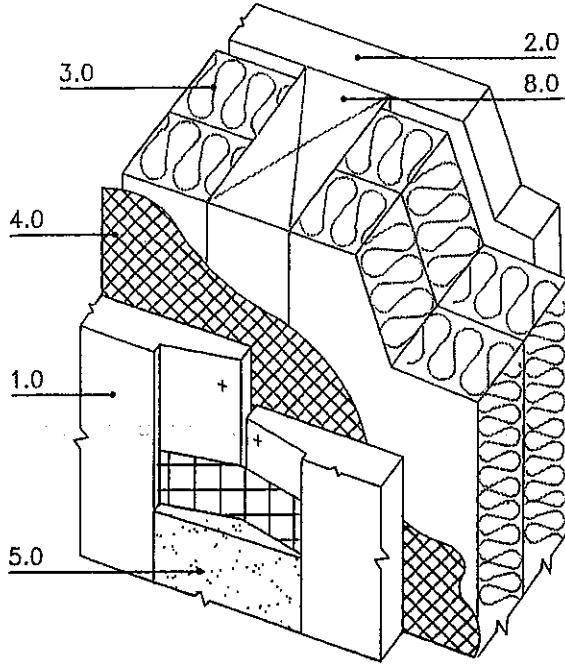
South Island: 42C Maces Road, PO Box 38021 Christchurch 9
tel: 03 384 4023, fax: 03 384 4026

Eterpan: Two Way Fire Wall - 9.0mm

Data Sheet
EP90.55

Application:

Eterpan is an autoclaved fibre cement board which is suitable for external applications such as wall claddings, fascias and soffits. Eterpan is available unfinished only and is a versatile board that is extremely easy to handle and work. Eterpan meets the performance criteria of the N.Z.B.C: B2 Durability for 50 years; C3 Spread of Fire; E2 External moisture and is a non-hazardous material in terms of clause F2 Hazardous Building material.



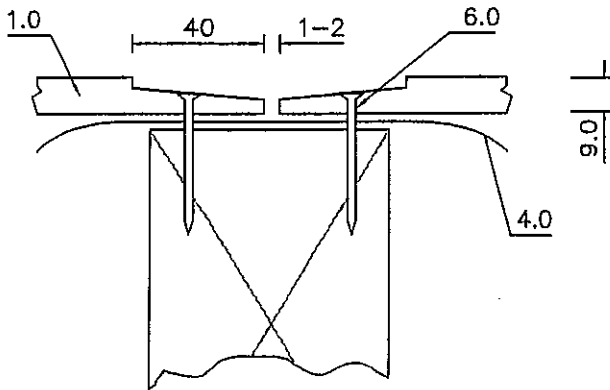
General Arrangement

Technical Detail:

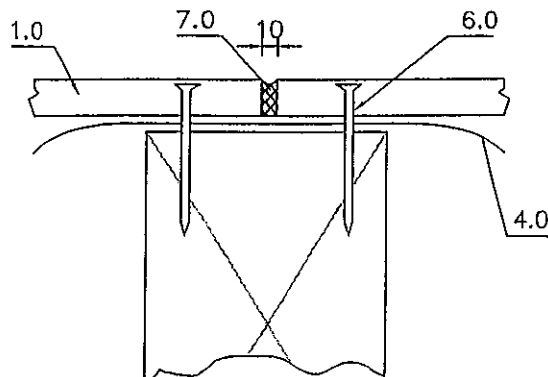
Fire Rating: -/120/120

Ref BRANZ FP2387; FP2388 & 97/1136

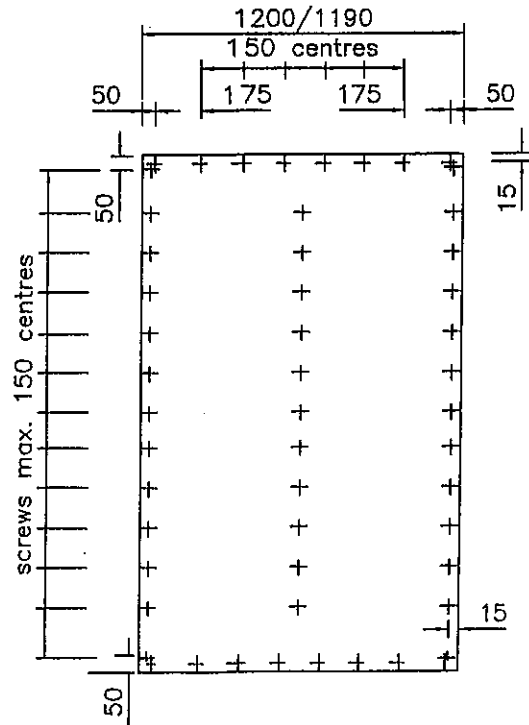
- 1.0 Eterpan 9.0mm thick
- 2.0 Fyreline 16mm thick
Refer Winstone spec. GBT90
- 3.0 Etercore 2x30mm thick
- 4.0 Flamestop 650 building paper
- 5.0 Joint flushing compound
(call Eterpan sales on
0508 383 77 26 for a full list
of approved joint stopping systems)
- 6.0 Stainless steel screws 40x2.8mm
Distance from edge 12mm
Maximum centres 150mm
Distance from corner 50mm
- 7.0 Promaseal fire rated silicone sealant
or
Fireban polyurethane sealant
- 8.0 No.1 Framing grade pinus radiata
For framing layout refer to detail C



Detail A: Flush Joint Detail



Detail B: Butt Joint Detail



Detail C: Fixing Layout

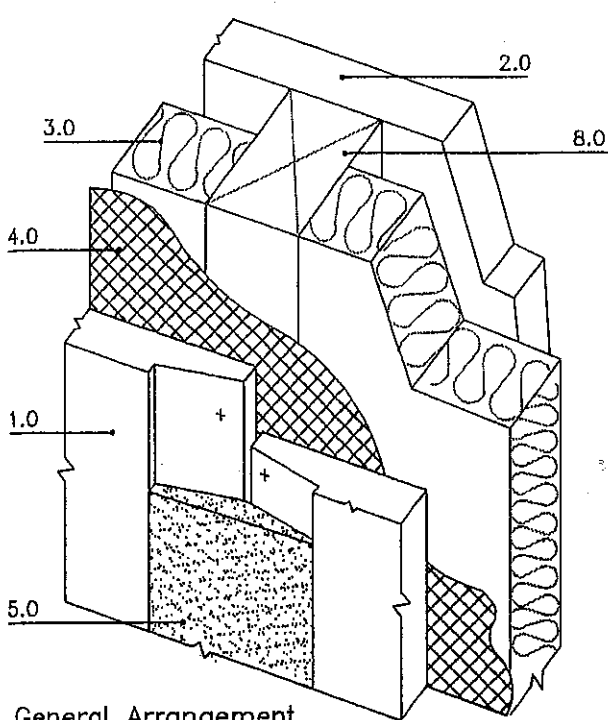
Eterpan Multiboard: Two Way Loadbearing

Fire Wall – 9.0mm

Data Sheet
EP90.56

Application:

Eterpan Multiboard is an autoclaved fibre cement board which is suitable for external applications such as wall claddings, fascias and soffits. Eterpan Multiboard is available unfinished only and is a versatile board that is extremely easy to handle and work. Eterpan Multiboard meets the performance criteria of the N.Z.B.C: B2 Durability for 50 years; C3 Spread of Fire; E2 External moisture and is a non-hazardous material in terms of clause F2 Hazardous Building material.



General Arrangement

Technical Detail:

Fire Rating: 30/30/30

1.0 to 7.0 } Refer to data sheet EP90.52

8.0 Refer to Table 1.0

Fire Rating: 60/60/60

1.0 to 7.0 } Refer to data sheet EP90.53

8.0 Refer to Table 2.0

Table 1.0: Ultimate Strength* (KN) for Fire Emergency Loading of 30 minutes
(Radiata Pine F5 Studs @ 600 c/c – Nogs at 800 c/c)

Actual Stud size	Wall Height (m)									
	2.4	2.7	3.0	3.3	3.6	3.9	4.2	4.5	4.8	5.1
mmxmm	20.3	17.1	14.5	12.3	10.5	9.0	7.7	6.6	5.7	5.0
90x45	39.1	34.6	30.4	26.7	23.5	20.6	18.2	16.0	14.2	12.6
120x45	52.7	47.9	43.2	38.7	34.6	30.9	27.6	24.7	22.1	19.8

Table 2.0: Ultimate Strength* (KN) for Fire Emergency Loading of 60 minutes
(Radiata Pine F5 Studs @ 600 c/c – Nogs at 800 c/c)

Actual Stud size	Wall Height (m)									
	2.4	2.7	3.0	3.3	3.6	3.9	4.2	4.5	4.8	5.1
mmxmm	5.2	4.3	3.6	2.9	2.4	-	-	-	-	-
90x45	12.6	11.0	9.6	8.3	7.2	6.2	5.4	4.6	4.0	3.4
120x45	18.6	16.7	15.0	13.3	11.8	10.4	9.2	8.1	7.1	6.3

*Refer to Section 2.4.3.4 of NZS 4203:1992

Note that the walls must be separately designed for load combinations not including fire emergency loading.

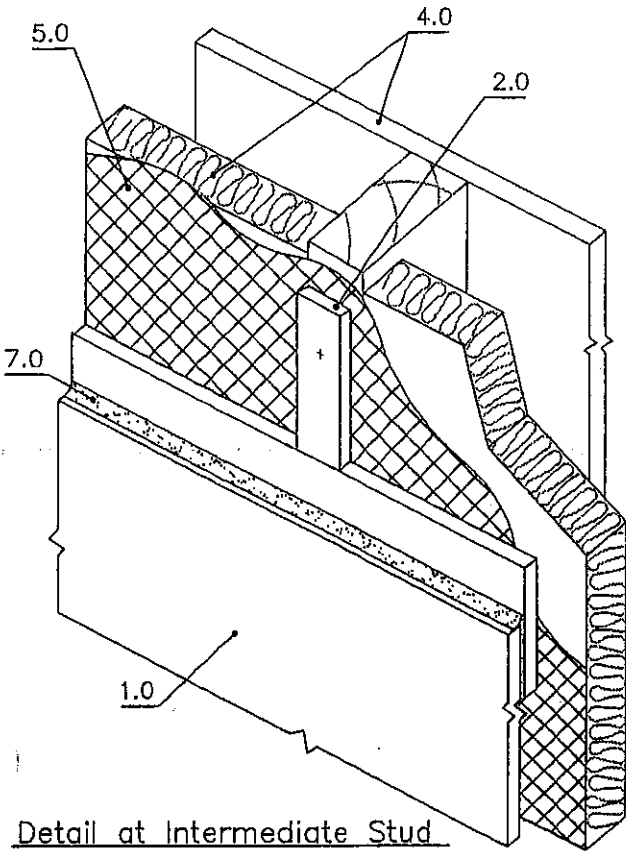
MultiBoard: Two Way Fire Wall - 9.0mm

Data Sheet
EP90.58

Application:

MultiBoard is an autoclaved fibre cement board which is suitable for external applications such as wall claddings, fascias and soffits. MultiBoard is available unfinished only and is a versatile board that is extremely easy to handle and work.

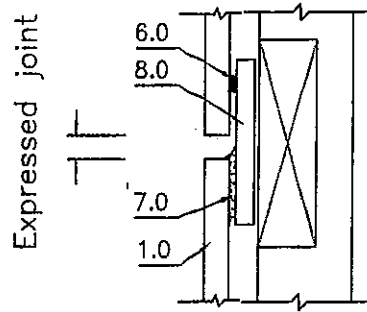
MultiBoard meets the performance criteria of the N.Z.B.C: B2 Durability for 15 years; C3 Spread of Fire; E2 External moisture and is a non-hazardous material in terms of clause F2 Hazardous Building material.



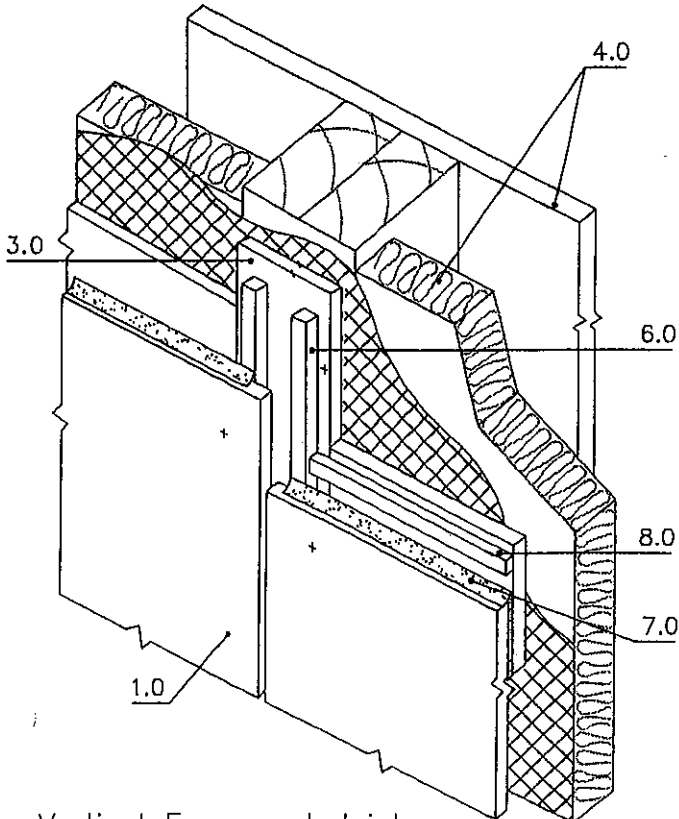
Detail at Intermediate Stud

Technical Detail: 90/90/90

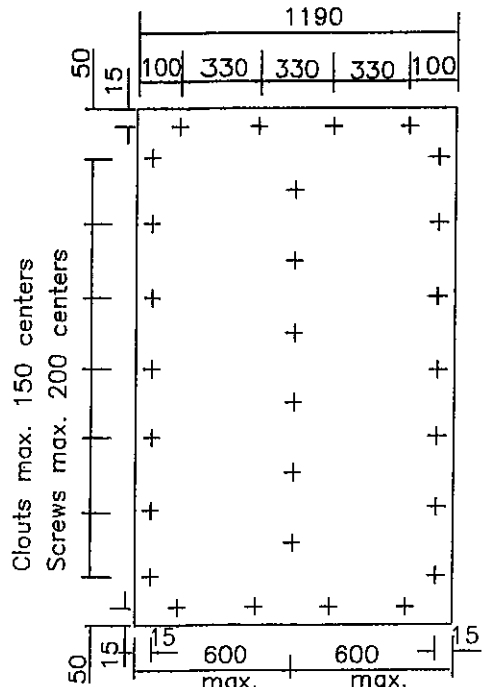
- 1.0 MultiBoard 9mm thick
- 2.0 Eterpan strip 50x9mm
- 3.0 Eterpan strip 80x9mm
- 4.0 Insulation and internal wall lining according to fire rating refer to data sheet EP 90.53, and EP 90.56
- 5.0 Flamestop 650 building paper
- 6.0 Tesa foam tape 10x6mm
- 7.0 Bostik Fireban
- 8.0 Eterpan strip 80x9mm bonded to back of MultiBoard with item 7.0



Detail A: Horizontal Expressed Joint



Vertical Expressed Joint



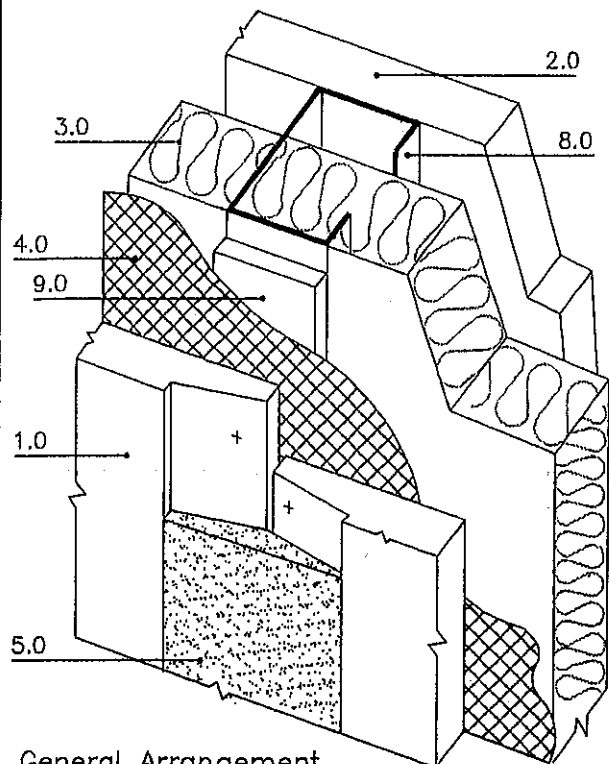
Detail B: Fixing Layout

Eterpan Multiboard: Two Way Fire Wall 9.0mm

Data Sheet
EP90.59

Application:

Eterpan Multiboard is an autoclaved fibre cement board which is suitable for external applications such as wall claddings, fascias and soffits. Eterpan Multiboard is available unfinished only and is a versatile board that is extremely easy to handle and work. Eterpan Multiboard meets the performance criteria of the N.Z.B.C: B2 Durability for 50 years; C3 Spread of Fire; E2 External moisture and is a non-hazardous material in terms of clause F2 Hazardous Building material.



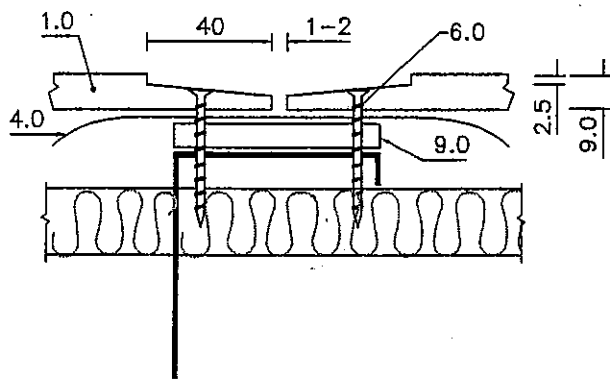
General Arrangement

Technical Detail:

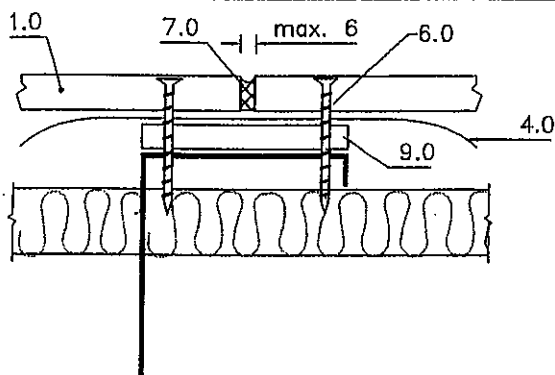
Fire Rating: 30/30/30

Ref BRANZ FP2387; FP2388 & 97/1168

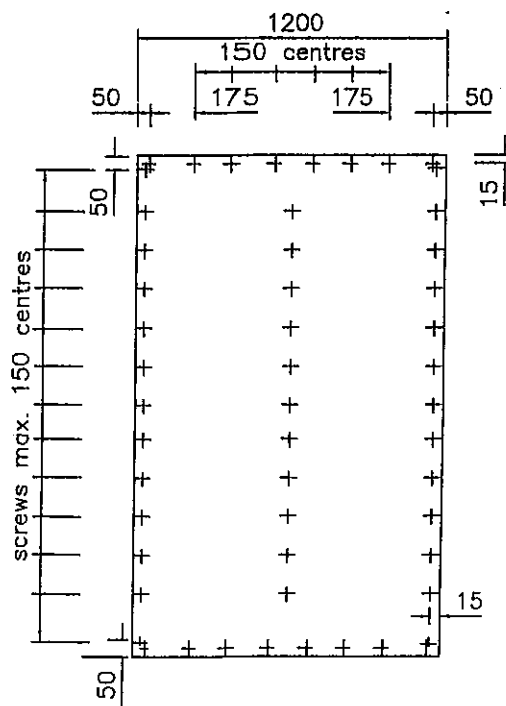
- 1.0 Eterpan Multiboard 9.0mm thick
- 2.0 Fyreline 12.5mm thick
Refer Winstone spec. GBSL30a
- 3.0 R1.8 Pink Batts 75mm 0.78 kg/m²
- 4.0 Flamestop 650 building paper
- 5.0 Joint flushing compound
(call Eterpan sales on 0508 383 77 26 for a full list of approved joint stopping systems)
- 6.0 Stainless steel screws 40x2.8mm
Distance from edge 12mm
Maximum centres 150mm
Distance from corner 50mm
- 7.0 Promaseal fire rated silicone sealant or Fireban polyurethane sealant
- 8.0 Steel framing according to structural calculation
- 9.0 Eterpan Multiboard strips 50mm wide 9.0mm thick



Detail A: Flush Joint Detail



Detail B: Butt Joint Detail



Detail C: Fixing Layout

pbs distributors

North Island: 31 Arrenway drive, Albany, PO Box 302202 NH 1330
tel: 09 477 0960, fax: 09 477 0961
South Island: 42C Maces Road, PO Box 38021 Christchurch 9
tel: 03 384 4023, fax: 03 384 4026
Phone toll free 0800 2255 727