

35.0 LD BOARD



www.pbs.co.nz

0800 2255 727

35.0 LD HEAT SHIELD DRAWING INDEX – LD.35.0.01

Product	Application	Detail	Suffix	Description	Issued
Index					
LD	35	0.01		TILE AND SLATE DRAWING INDEX	24/08/11
Framing & Sheet Layout					
LD	35	1.01		Eterpan LD Heat Shield - Lined Option	24/08/11
LD	35	1.02		Eterpan LD Heat Shield - Unlined Option	24/08/11
LD	35	1.03		Eterpan LD Heat Shield - Hearth Option	24/08/11

© THIS DRAWING IS THE PROPERTY OF PBS DISTRIBUTORS LTD AND MUST NOT BE COPIED WITH OUT PERMISSION

Eterpan LD Board Drawing Index 1 of 1

Scale:

NTS

Date:

24/08/11



North Island: 31 Arrenway Drive, Albany, PO Box 302202 Auckland 0751
tel: 09 477 0960, fax: 09 477 0961
South Island: 42C Maces Road, Christchurch
tel: 03 384 4023, fax 03 384 4026

DWG. No.

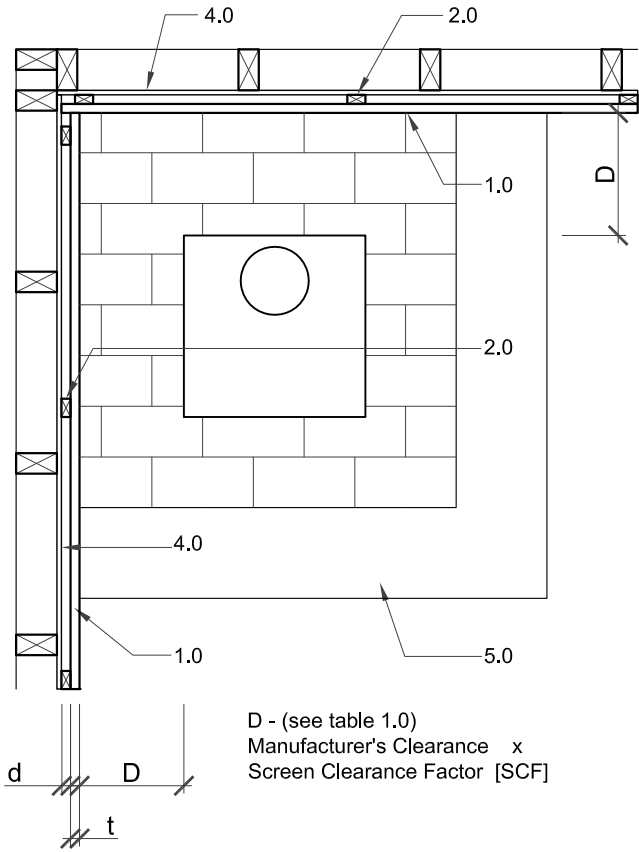
LD.35.0.01

Application:

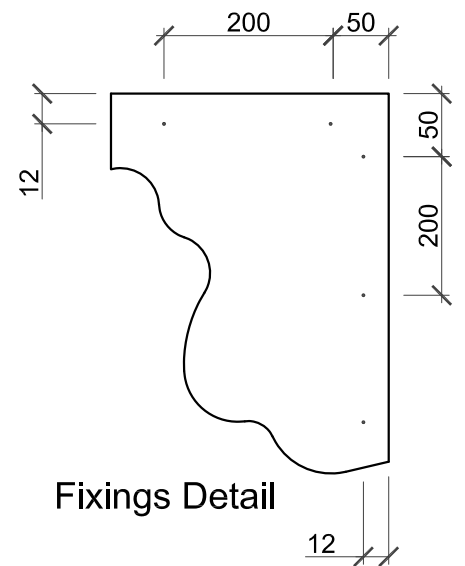
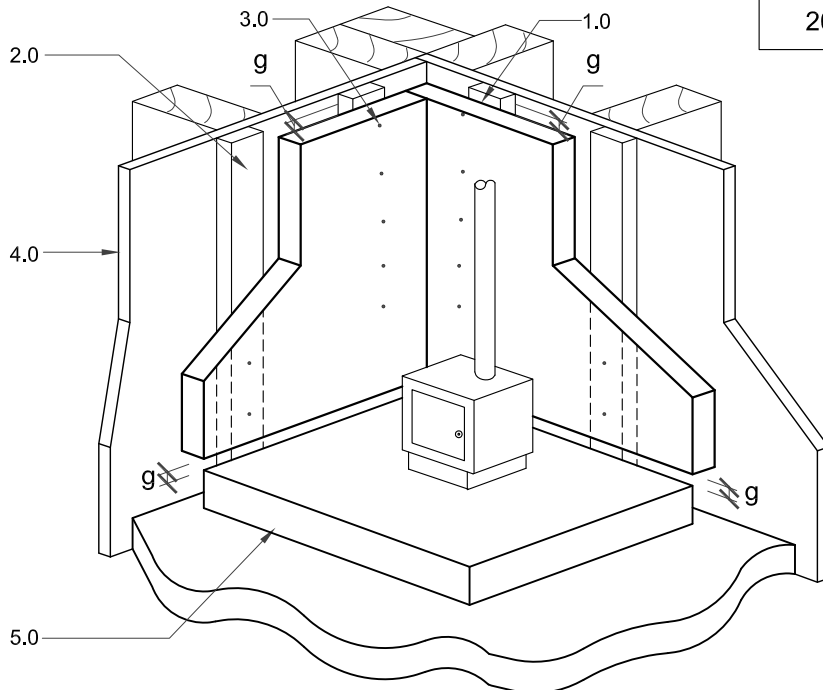
- Eterpan LD board can be used as a wall lining to reduce the screen clearance between solid fuel heaters and combustible wall linings. Eterpan LD board can be fixed directly to the stud (see data sheet LD.35.1.03) or as shown below spaced off the lining as indicated in table 1.0 or directly to an existing wall lining. Screen clearance factors have been determined in accordance with AS/NZS2918:2001 refer Test Report 96/33. Eterpan LD board is an ideal substrate for tiling.

Technical Detail:

- 1.0 Eterpan LD board
or
(see table 1.0 for board thickness) 12mm thick
20mm thick
- 2.0 Eterpan strips
max.600 centres
if required (see table 1.0) min.40x12mm
or
min.40x20mm
- 3.0 Fixings @max.
200 centres and
12mm from edge of board,
50mm in from corner 50x8mm
Surefast screws
- 4.0 Internal wall lining
- 5.0 Eterpan hearth see data sheet PBS123
- 6.0 Air gap ventilated by openings provided at opposite edges being the upper and lower edges. [see table 1.0 for gap size]



t	d	g	SCF
12	0	0	0.84
20	0	0	0.77
12	12	6	0.36
12	25	13	0.29
20	25	13	0.26



Eterpan LD Heat Shield Lined Option

Scale: NTS
Date: 24/08/11

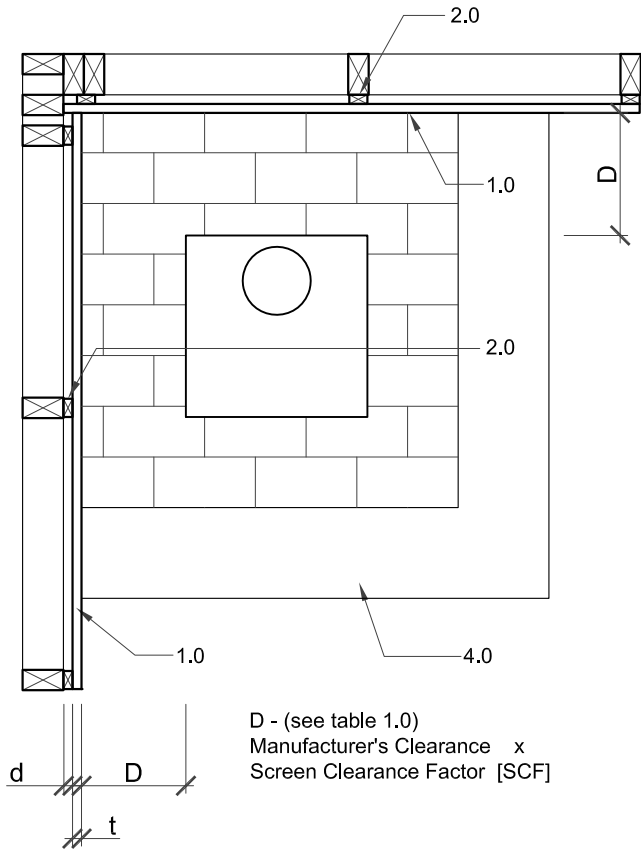
© THIS DRAWING IS THE PROPERTY OF PBS DISTRIBUTORS LTD AND MUST NOT BE COPIED WITH OUT PERMISSION

Application:

- Eterpan LD board can be used as a wall lining to reduce the screen clearance between solid fuel heaters and combustible wall linings. Eterpan LD board can be fixed directly to the stud (see data sheet LD.35.1.03) or as shown below spaced off the lining as indicated in table 1.0 or directly to an existing wall lining. Screen clearance factors have been determined in accordance with AS/NZS2918:2001 refer Test Report 96/33. Eterpan LD board is an ideal substrate for tiling.

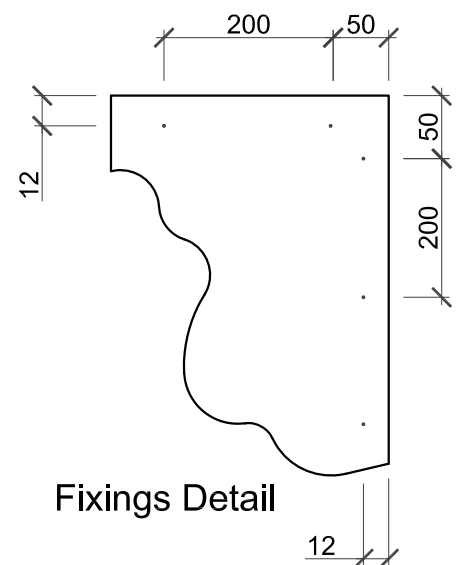
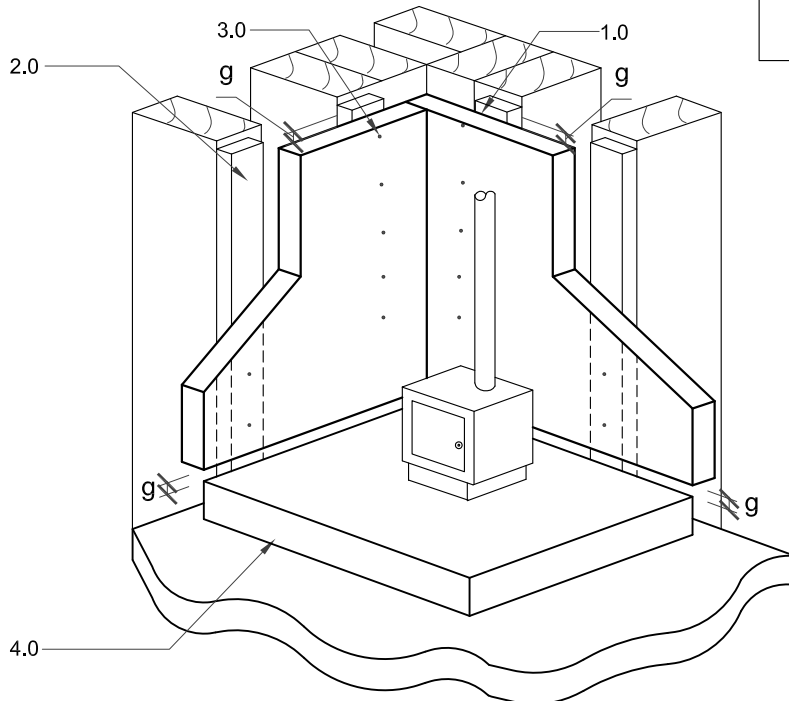
Technical Detail:

- Eterpan LD board
or
(see table 1.0 for board thickness) 12mm thick
20mm thick
- Eterpan strips
max.600 centres
if required (see table 1.0) min.40x12mm
or
min.40x20mm
- Fixings @max.
200 centres and
12mm from edge of board,
50mm in from corner 50x8mm
Surefast screws
- Eterpan hearth see data sheet PBS123
- Air gap ventilated by openings provided at
opposite edges being the upper and lower
edges. [see table 1.0 for gap size]



D - (see table 1.0)
Manufacturer's Clearance x
Screen Clearance Factor [SCF]

t	d	g	SCF
12	0	0	0.84
20	0	0	0.77
12	12	6	0.36
12	25	13	0.29
20	25	13	0.26



Fixings Detail

Eterpan LD Heat Shield

Unlined Option

Scale:

NTS

Date:

24/08/11

pbs distributors

www.pbs.co.nz

0800 2255 727

North Island: 31 Arrenway Drive, Albany, PO Box 302202 Auckland 0751
tel: 09 477 0960, fax: 09 477 0961

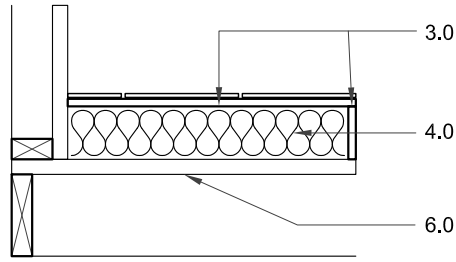
South Island: 42C Maces Road, Christchurch
tel: 03 384 4023, fax 03 384 4026

DWG. No.

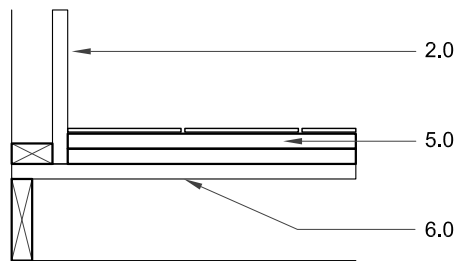
LD.35.1.02

Application:

1. Eterpan LD board can be used as a non combustible hearth either as a cladding over a foam core or fixed directly to the floor membrane. Eterpan LD board is an ideal substrate for tiling.



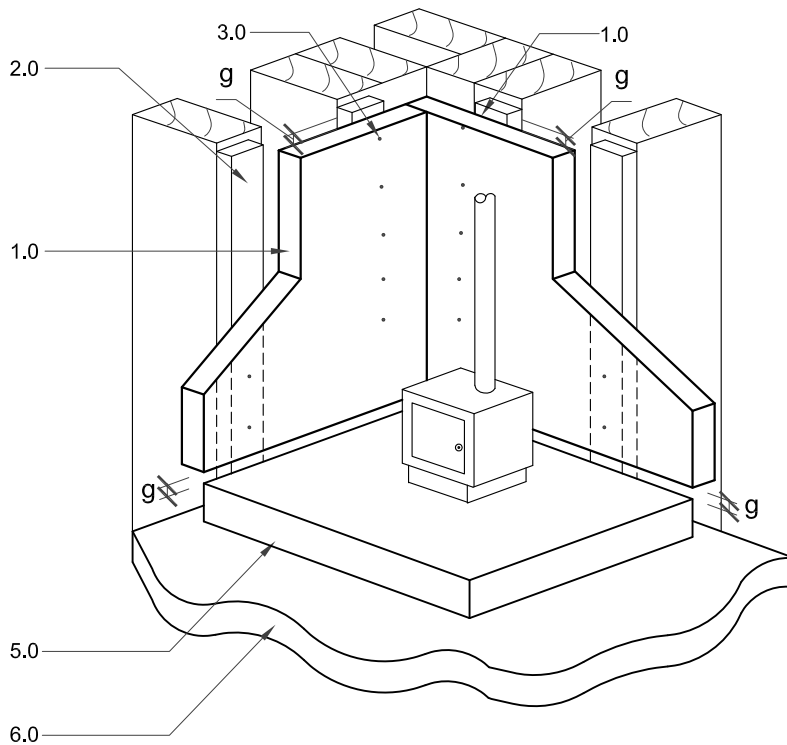
Detail A: Eterpan Hearth with Polystyrene Core



Detail B: Eterpan hearth

Technical Detail:

- | | |
|--|----------------|
| 1.0 Eterpan LD board | 12mm thick |
| or | 20mm thick |
| (see data sheet LD.35.1.01 & LD.35.1.02) | |
| 2.0 Eterpan strips | min.40x12mm |
| max.600 centres | or |
| if required | min.40x20mm |
| (see data sheet LD.35.1.01 & LD.35.1.02) | |
| 3.0 Eterpan MD board | 6mm thick |
| 4.0 Polystyrene core | |
| 5.0 Eterpan MD board | 2 x 20mm thick |
| 6.0 Combustible floor | |



Eterpan LD Heat Shield

Hearth Option

Scale:

NTS

Date:

24/08/11

pbs distributors

www.pbs.co.nz

0800 2255 727

North Island: 31 Arrenway Drive, Albany, PO Box 302202 Auckland 0751
tel: 09 477 0960, fax: 09 477 0961

South Island: 42C Maces Road, Christchurch
tel: 03 384 4023, fax 03 384 4026

DWG. No.

LD.35.1.03