

Your partner in building solutions

pbs distributors

pbs
VentClad
PLASTER FINISH

INSTALLATION GUIDE



pbs distributors

© PBS Distributors. The content of these instructions remain the property of PBS Distributors and must not be altered, used or any other publication without the written permission of PBS Distributors.

TE-SY-VP-Install 110609

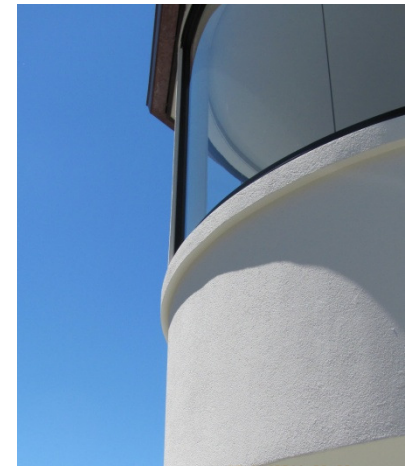
General remarks

- This installation guide is to be used in conjunction with:
 - PBS **VentClad Plaster** Q/A Sheet
 - PBS **VentClad Plaster** specifications
 - PBS **VentClad Plaster** Order List
 - Architects' specific details
 - PBS Corporate Folder
 - PBS **Eterpan Base** as **Rigid Air Barrier** Installation Guide and details
 - PBS **Eterpan** Bracing Manual
 - Selected Plaster Jointing & textured finishing system technical details.
- The methods selected for this guide are based on experience from sites & have proven to give the best results.
- Further details are available in the PBS folder or from the website
www.pbs.co.nz

Step 1: Air Barrier Options

- Building wrap may be used as a non rigid air barrier where the ULS is less than ± 1550 Pa.
- Where wind pressures exceed ± 1550 Pa and are less than ± 6000 Pa use a rigid air barrier of **Eterpan Base**.
- For more information on Rigid Air Barriers please see the **Eterpan Base** as **Rigid Air Barrier** installation Guide.

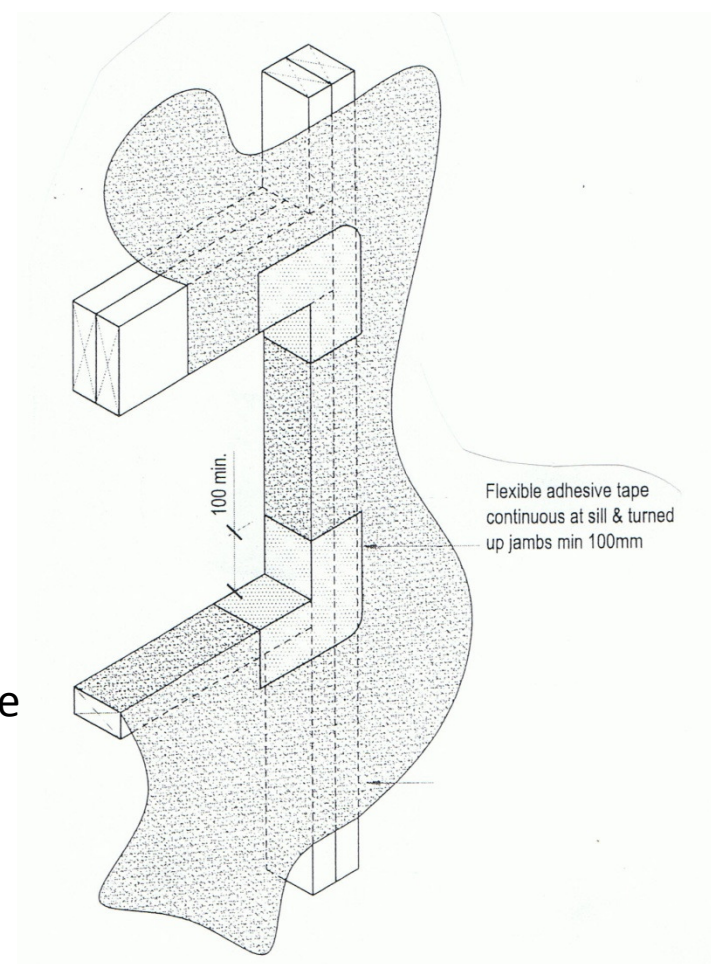
NOTE: there is no need for a building wrap with a rigid air barrier although this can be done if required. For more information contact PBS Distributors.



Step 1: Air Barrier Options - Building Wrap

Go to the next page when the specifications require a Rigid Air Barrier instead of Building Wrap

- Fix **PBS Tekton** building wrap with staples
- Fix blue band (polyprop tape) vertically between studs at 300mm centres (refer XC.3.1.02) to prevent bridging of the cavity by the wall insulation.
- Tape all laps with **PBS Tekton** Seam Tape
- Repair all cuts & tears in building wrap with seam tape
- Fold in around windows (4 sides)
- Apply spray adhesive to areas requiring Protecto Tape
- Tape the 4 corners and sill of each opening with Protecto Sill tape.

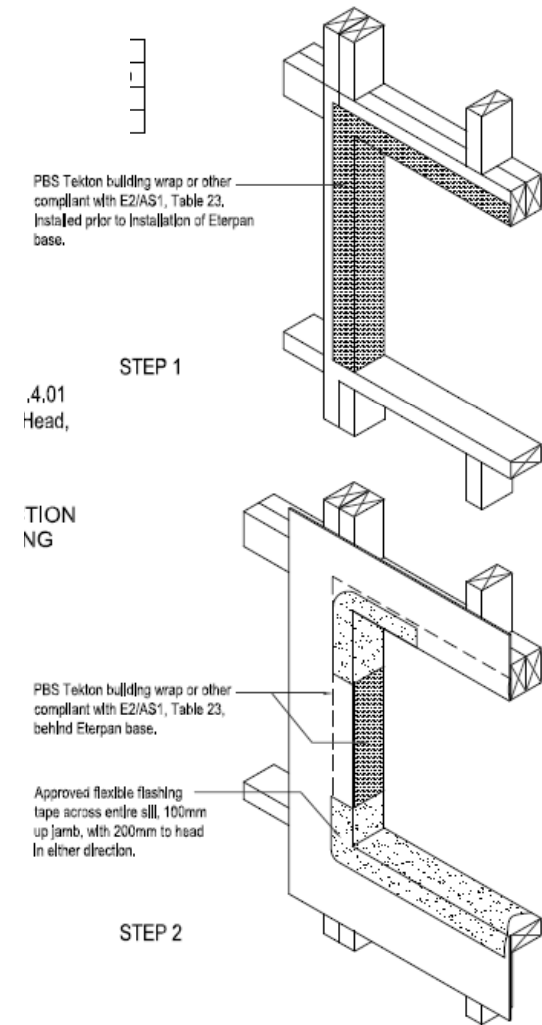


Step 1: Air Barrier Options - Rigid air barrier

Ignore this step when the specifications call for Building Wrap instead of a Rigid Air Barrier

There are 2 options for the detail at window and door openings: **Option 1**

- Wrap window and door jambs and head with building wrap before fitting **Eterpan Base** as Rigid Air Barrier.
- Fix Eterpan Base as Rigid Air Barrier with 40mm stainless steel clouts at 150 centres to all nogs & studs
- Edge distance minimum 15.0mm
- Corner distances minimum 100mm & 50mm
- Prime contact area of Eterpan Base as Rigid Air Barrier before fitting tape
- Tape the 4 corners and sill of each opening with Protecto Detail tape.

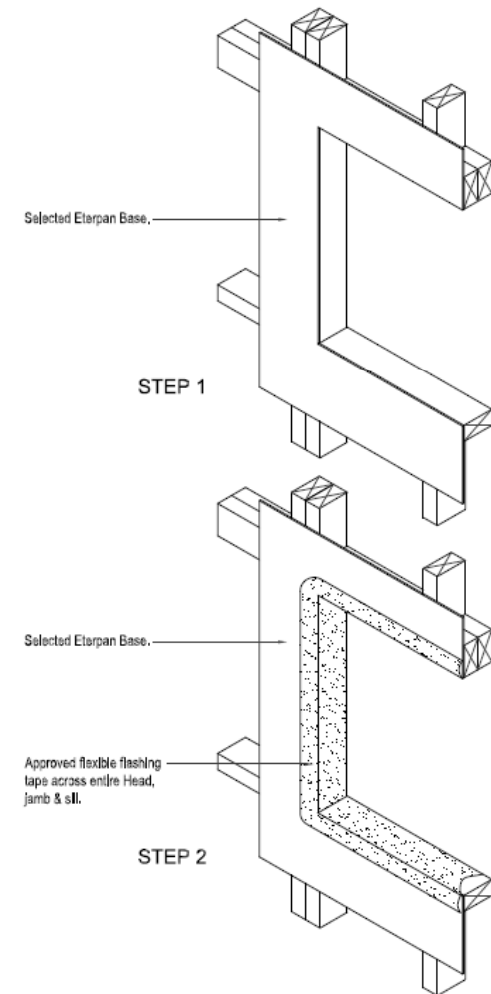


Step 1: Air Barrier Options - Rigid air barrier (continued)

Ignore this step when the specifications call for Building Wrap instead of a Rigid Air Barrier

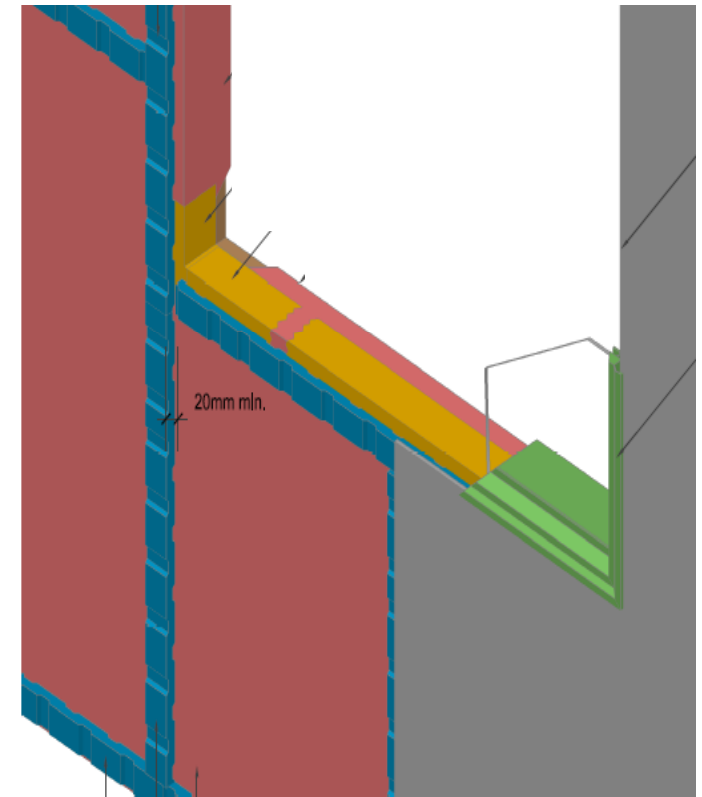
There are 2 options for the detail at window and door openings: **Option 2**

- Fix **Eterpan Base** as Rigid Air Barrier with 40mm stainless steel clouts at 150mm centres to all nogs & studs
- Edge distance minimum 15.0mm
- Corner distances minimum 100mm & 50mm
- Prime contact area of Eterpan Base as Rigid Air Barrier before fitting tape
- Tape the perimeter with Protecto Sill tape and the 4 corners and sill of each opening with Protecto Detail tape.



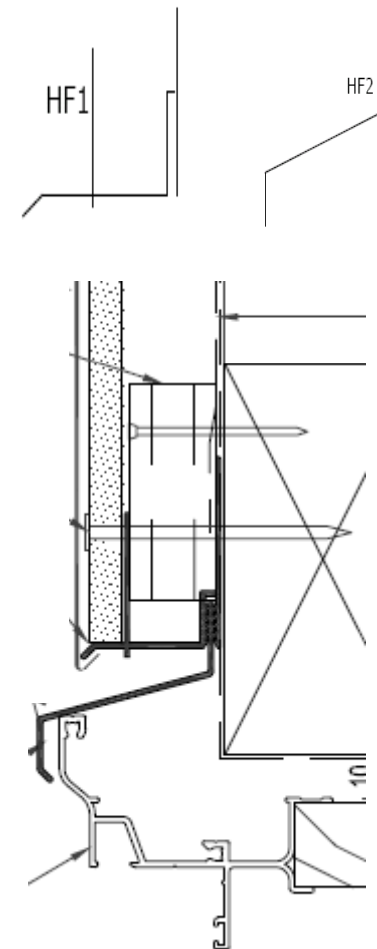
Step 2: Install Horizontal Battens

- ❑ Set 50 x 20mm **VentClad** top batten 10.0mm below horizontal protrusion.
- ❑ 50 x 20mm **VentClad** battens at window jambs and sills to be set back 10.0mm from trimmed opening.
- ❑ 50 x 20mm **VentClad** batten at cavity base set flush with bottom plate.
- ❑ Fit **VentClad** horizontal 50 x 20mm batten to bottom of full Height windows/doors with batten flush with top of floor.
- ❑ Tack battens in place with 40.0mm clouts.



Step 3: Fit off flashings

- ❑ Fit **VentClad PVC vermin flashing** to bottom batten, locates on moulded ridge.
- ❑ Fit **HF1/HF2** PVC head flashing or aluminum head flashing over windows & doors. Extend past opening 50.0mm & stop end aluminum flashing if using in lieu of **HF2**.
- ❑ Note: **XpressClad XHR** can be used for window head batten detail in lieu of **VentClad** batten. Refer **VP.2.4.05** for option details and **VP.2.1.06** for stop ending.
- ❑ Fit second layer of building wrap into **HF1** up stand or alternatively seal/tape aluminum head flashing up stand to building wrap/ rigid air seal.

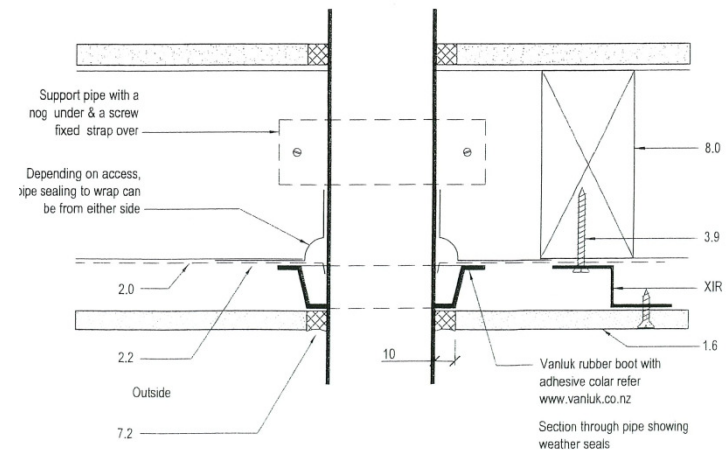
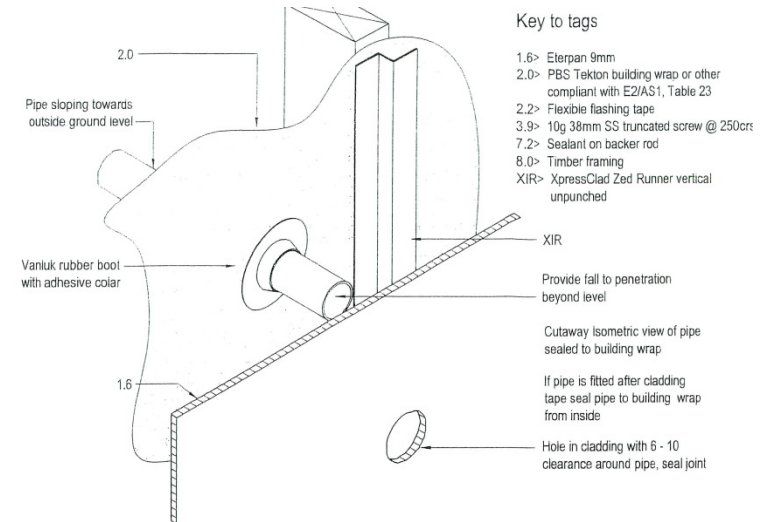


Step 4: Fit off remainder off batten

- Fit horizontal 50 x 20mm batten above window, fits into **HF1 PVC closer**.
- Fit vertical battens at all sheet joints. (50 x 20mm batten)
- Fit vertical battens at all intermediate studs @ max 600 crs. (50 x 20mm batten)
- Vertical battens at internal & external corners with 10.0mm gaps. Refer **VP.2.2.02**
- Fit horizontal battens at all horizontal joints and nogs. (50 x 20mm batten)
- Horizontal at inter storey detail refer to specific detail options **VP.2.3.04 – 06 & VP.2.3.09 - 12**
- Tack battens in place with 40.0mm clouts.

Step 5: Penetrations

- ❑ Seal all pipe and duct penetrations as per specific detail depicted.
- ❑ When required fit meter box flashing kit. Refer specific detail **VP.2.8.02**



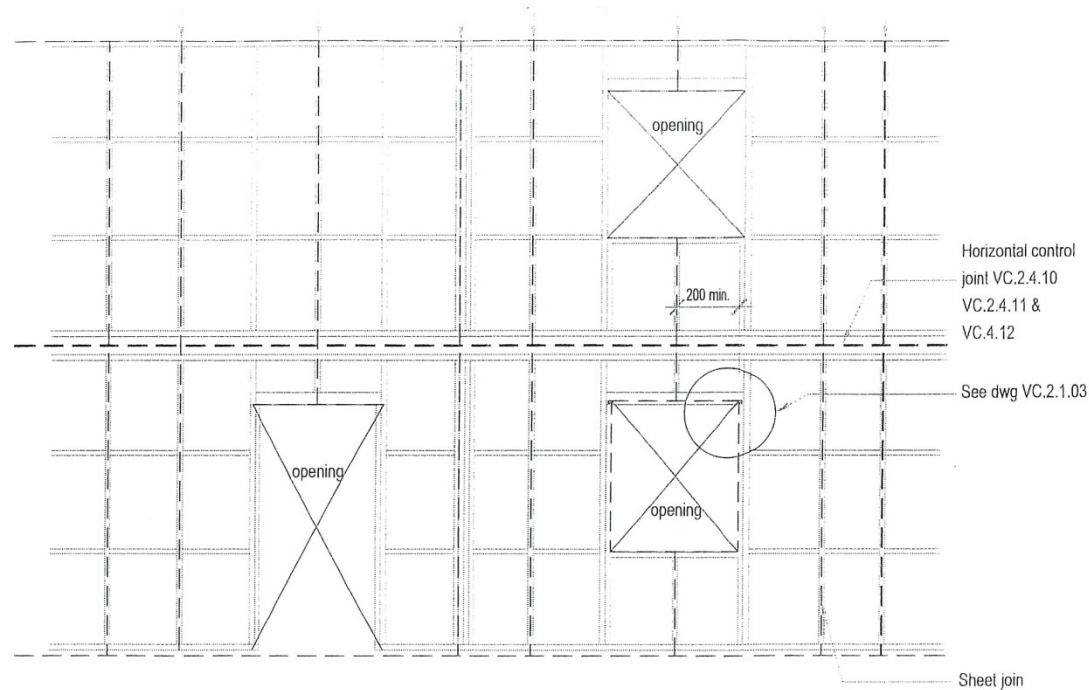
Step 6: check !

Before fixing **Eterpan Base** cladding sheets, ensure the following;

- check for tears in wrap and repair with **Tekton Seam Tape**.
- check sill & jamb flashing tapes on window recesses.
- check for tapes on **XHR** or head flashing for window head and to mid floor joints
- check for dwang or nog behind joints in **XHR** (optional detail)
- check for expansion joints, soakers and foam tapes on **XHR** (optional details)
- check that all head flashings have been stop ended and sealed.
- check for continuous PVC vermin strip.
- check that control joints have been provided as per **PBS technical details**
- check all penetrations have been sealed.

Now cut and fit your sheets.

Step 7: Typical wall panel plan



Typical wall panel elevation
(Framing Layout)

DOOR SIZES

Box size is opening size less 20mm in width & 15mm in height

WINDOW SIZES

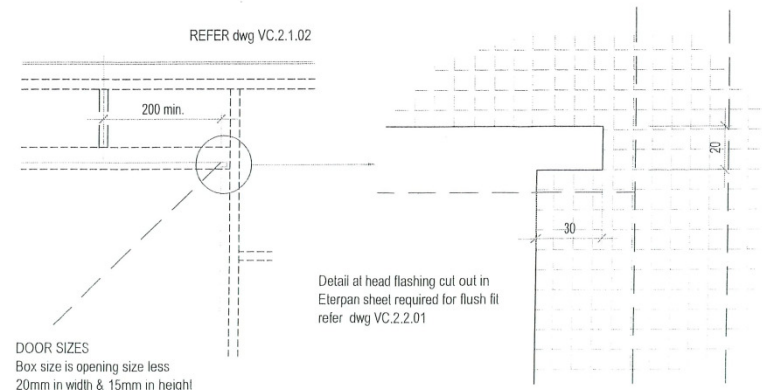
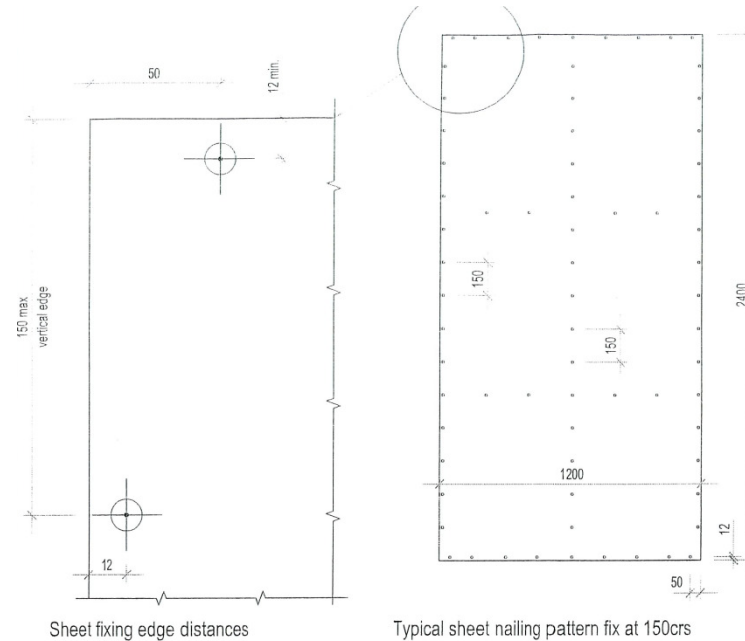
Window box size is opening size less 20mm

Eterpan sheet joins to occur minimum of 200 into window & door opening not at the edges.

See dwg VC2.1.03 for cut out at head flashing

Step 8: Eterpan Base sheet set out

- Fix Eterpan sheets as depicted. Refer **VP.2.1.03** in the Architectural **VentClad Plaster Finish** details.



Step 9: Fix off Eterpan Base Sheets

- Fix **Eterpan BASE** sheets to over sail bottom plate by 50mm.
- Ensure ground clearances are maintained. Bottom of sheets to finish 35mm clear of finished deck surface or 100mm clear of paved surfaces or 175mm clear of unpaved surfaces.
- Fix with 60mm S/S clouts @ 150mm max. crs to perimeter and intermediate studs and nogs.
- Ensure nail heads finish firmly onto face of sheet. **NOT FLUSH.**
- Provide 10.0mm gap for vertical control joints @ 5.4m crs max. Refer **VP.2.2.01**
- To achieve the required durability finish with the selected Textured plaster system.
- Complete and sign off Q/A sheet to confirm compliance.