

Your partner in building solutions



INSTALLATION GUIDE



© PBS Distributors. The content of these instructions remain the property of PBS Distributors and must not be altered, used or any other publication without the written permission of PBS Distributors. TE-SY-TO-Install-120402

General remarks

- This installation guide is to be used in conjunction with
 - PBS **Tonality** Q/A Check Sheet
 - PBS **Tonality** specifications
 - PBS **Tonality** Order List
 - Architects' specific details
 - PBS Corporate Folder
 - PBS **Eterpan Base** as **Rigid Air Barrier** Installation Guide and details
 - PBS **Eterpan** Bracing Manual

- The methods selected for this guide are based on experience from sites & have proven to give the best results. The sequence of the work steps as well as their implementation may vary more or less due to different building situations.

- Further details are available in the PBS folder or from the website

www.pbs.co.nz

Preliminary checks

- Complete frame check and obtain signed off Q/A Check sheet to ensure compliance.

- Complete **Eterpan Base** as **Rigid Air Barrier** check and obtain signed off Q/A Check sheet to ensure compliance.

- Check all main grids lines established on site to ensure they are in line with grids provided on the construction drawings and ensure the **Tonality** system is set out as per the façade design.

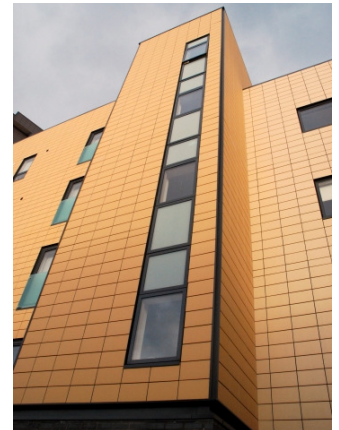


Gluing Ferrari textile (Optional)

- Glue Ferrari Stamisol FI textile onto the **Eterpan Base** as **Rigid Air Barrier** at the perimeter. Glue Ferrari Stamisol FI textile in vertical strips of 2.5 m wide, using Bostik FA2.

- Overlap of textile at joints is minimum 10 cm

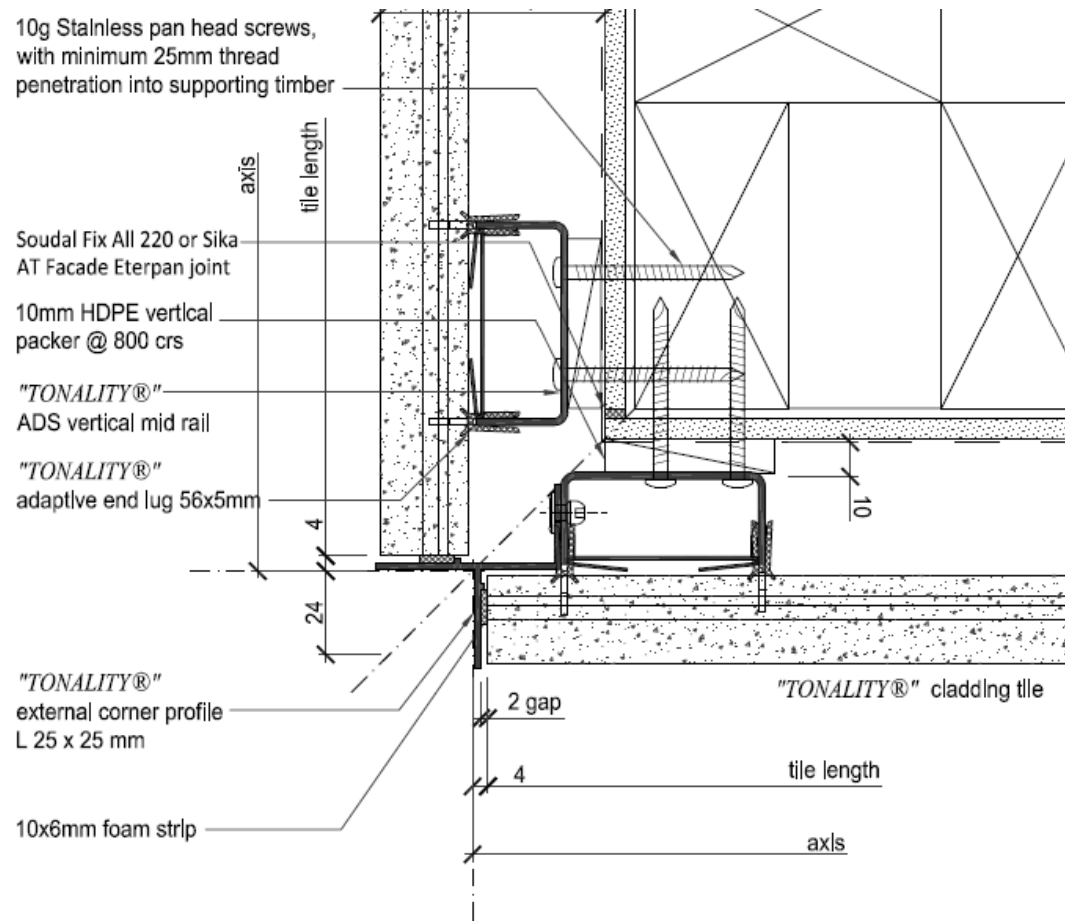
- Glue Ferrari Stamisol FA textile at all junctions with windows, penetrations through the **Eterpan Base** as **Rigid Air Barrier** and finish in the same way a Building Wrap would be finished.



Set out Tonality CLS hanging rails

Primary Sub-construction

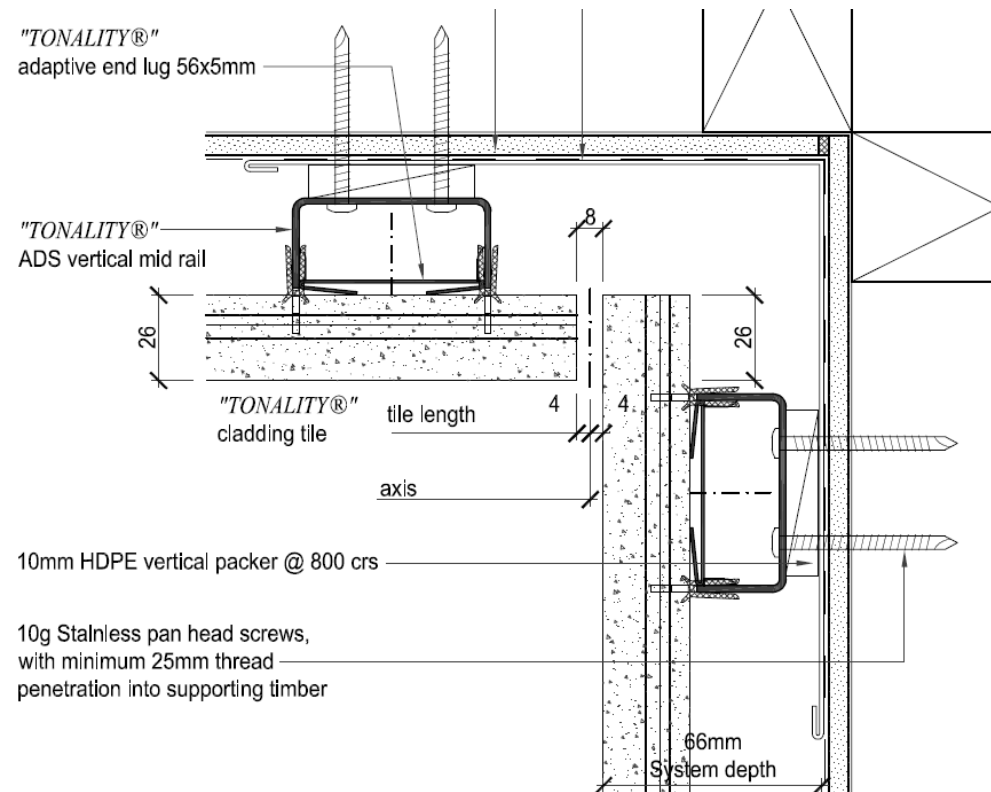
- Align and fix external corner rails to be aligned on timber wall framing, packing 10mm or less. Screw fix rails to specified centers with pair 63x10g St. St. screws.



Set out Tonality CLS hanging rails

Primary Sub-construction

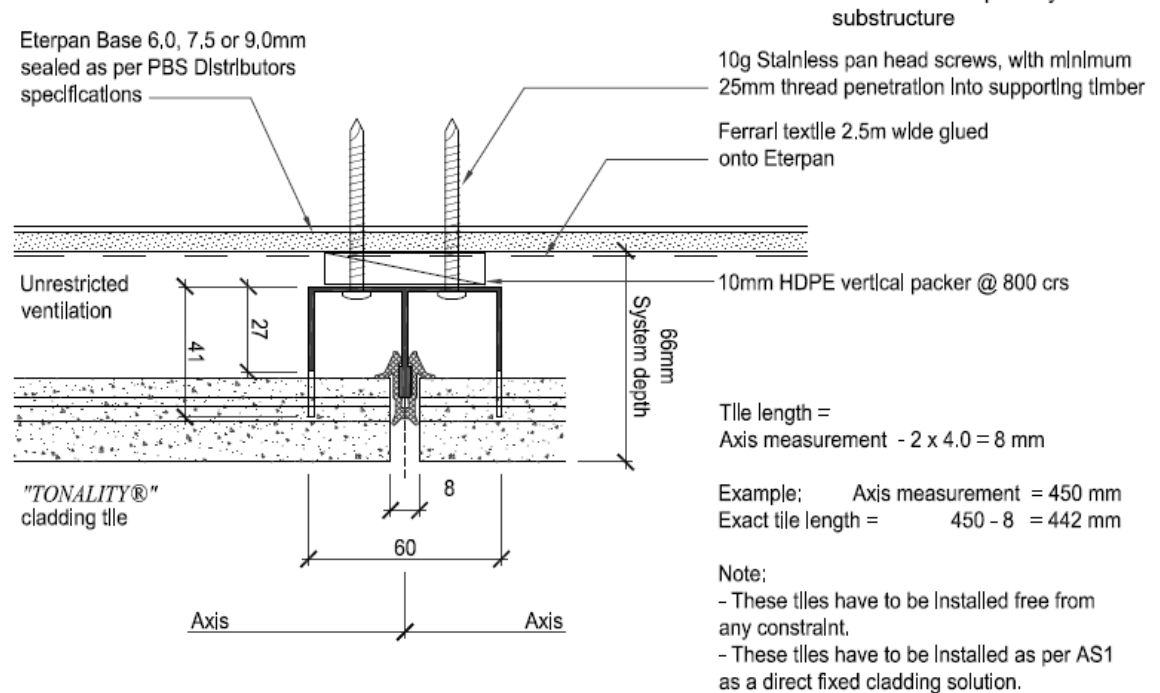
- Align and fix internal corner rails to be aligned on timber wall framing, packing 10mm or less. Screw fix rails to specified centers with pair 63x10g St. St. screws.



Set out Tonality CLS hanging rails

Primary Sub-construction

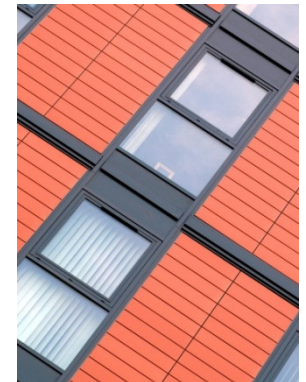
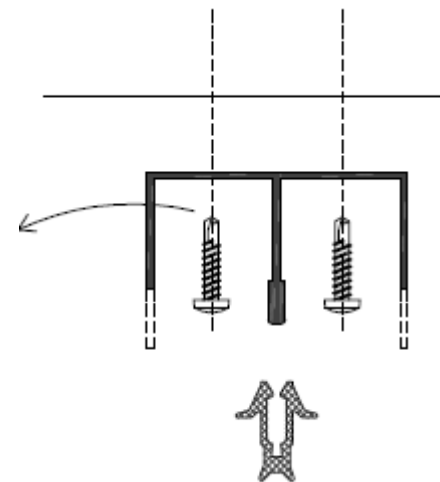
☐ Align and fix vertical joint profile rails to be aligned on timber wall studs, packing 10mm or less. Screw fix rails to specified centers with pair 63x10g St. St. screws.



Set out Tonality CLS hanging rails

Primary Sub-construction

- Allow expansion gaps of 6 mm between ends of profiles to take up any linear expansion that may occur.
- Fit black neoprene centre joint closer to vertical profile as depicted.

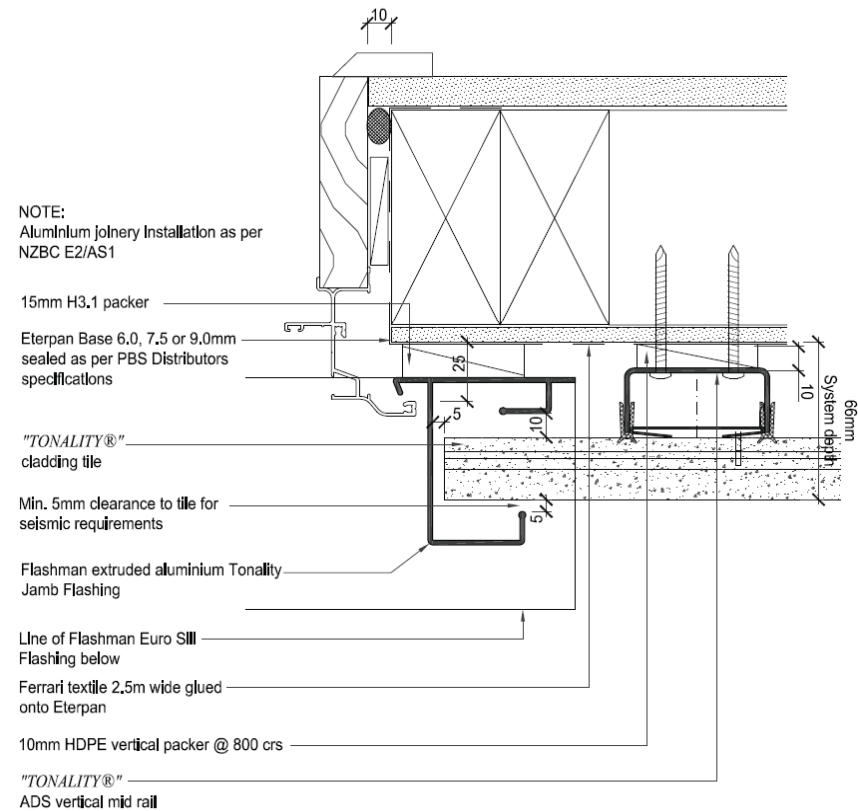


Set out Tonality CLS hanging rails

Flashman Arrangement

❑ Align and fix vertical Jamb profile rails to be aligned on timber wall studs either side of window opening, packing 10mm or less. Screw fix rails to specified centers with pair 63x10g St. screws.

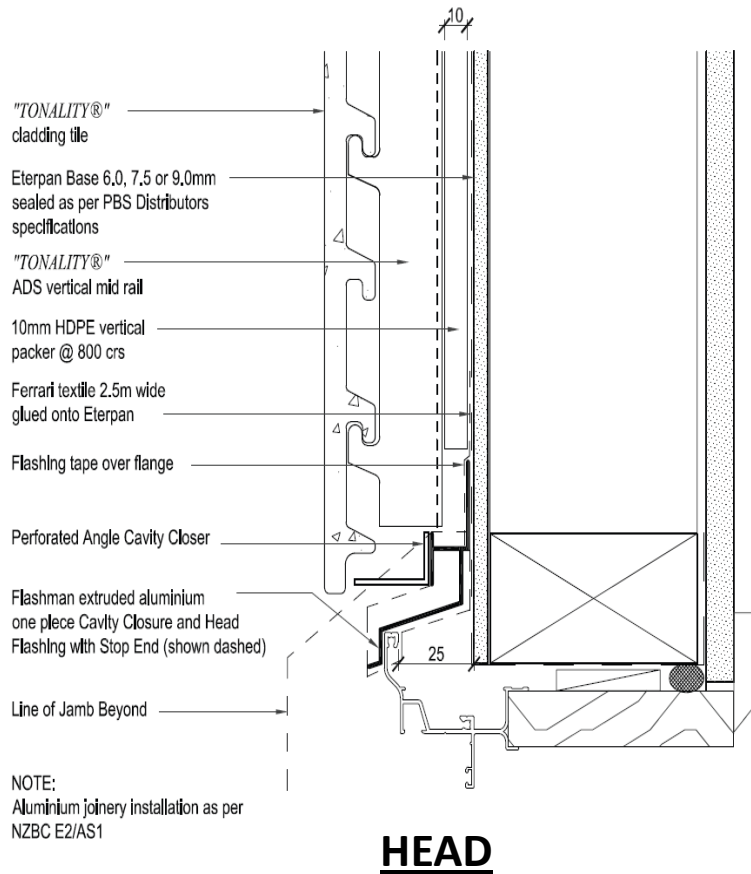
❑ Install head, Jamb & sill closer flashing. *Can be done by separate flashing contractor.*



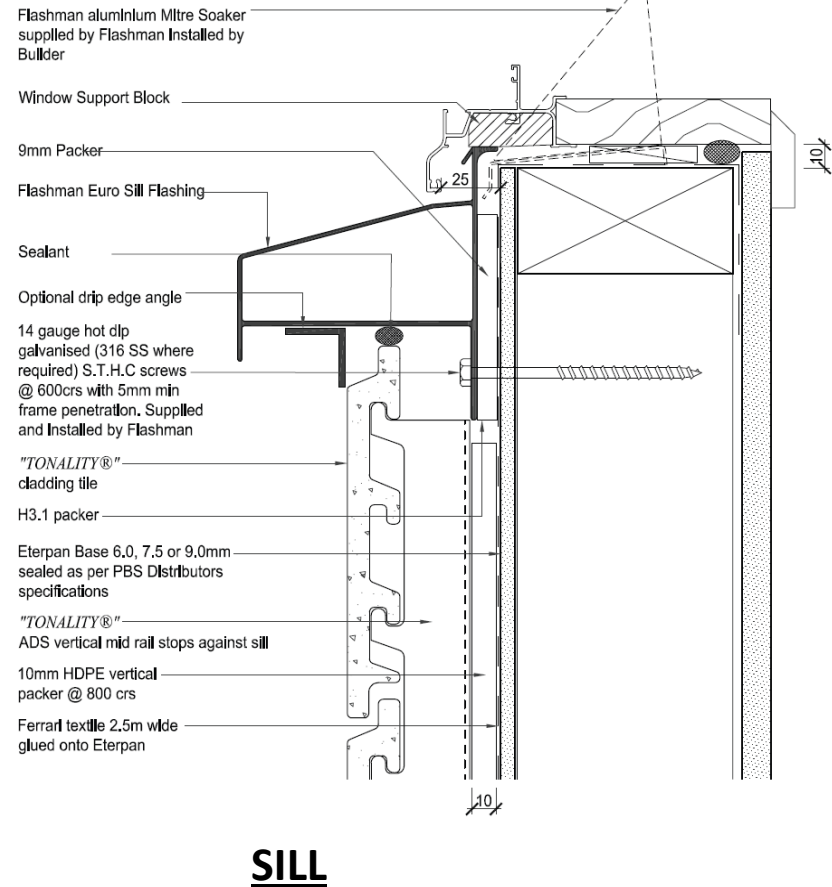
JAMB

Set out Tinality CLS hanging rails

Flashman Arrangement



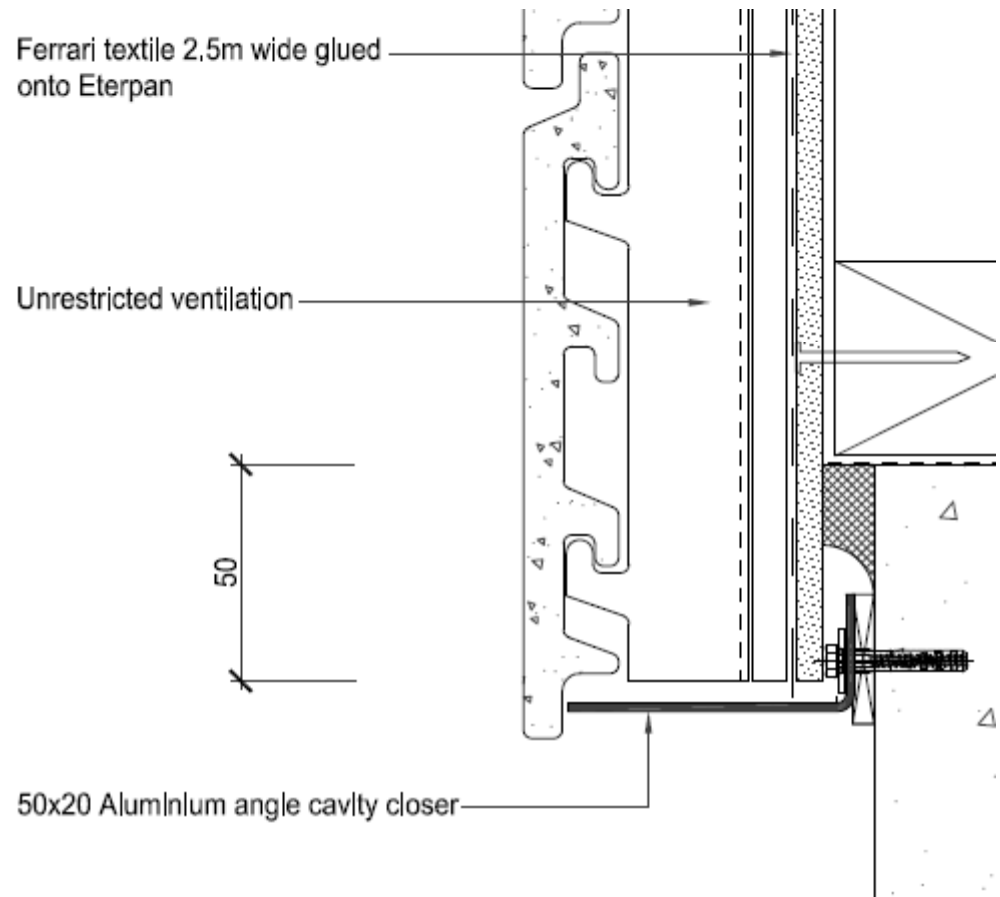
NOTE:
Aluminium joinery installation as per NZBC E2/AS1



Set out Tonicity CLS hanging rails

Primary Sub-construction

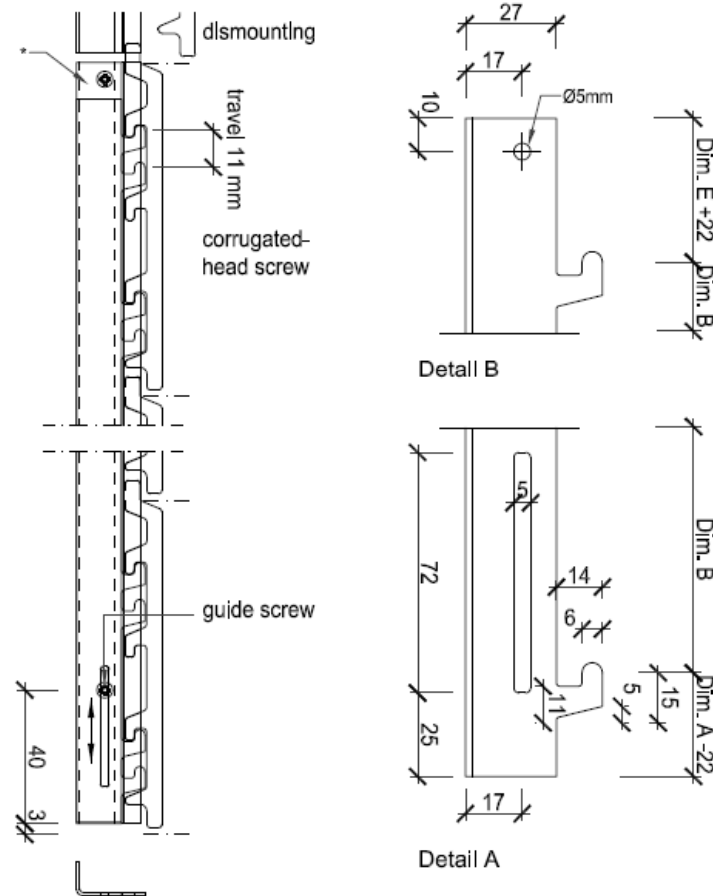
- ❑ align and fix vertical intermediate profile rails on timber wall studs, packing 10mm or less. Screw fix rails to specified centers with pair 63x10g St. St. screws.
- ❑ Fix intermediate profile lug to vertical intermediate profile as depicted.
- ❑ Fix 20x50 mm aluminium angle to close the cavity below bottom plate as depicted.



Set out Tonality CLS hanging rails

Primary Sub-construction

- Optional Anti dismantling rail fitted if required.



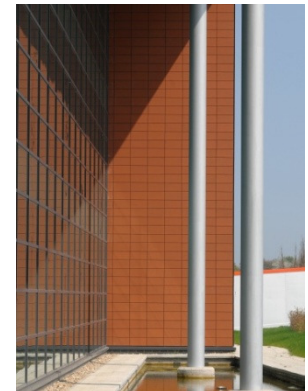
For grid height variables see table on page CLS 06

Installing Tonality Tiles

Pre Hanging Checks

- Check alignment and plumb of **ALL** vertical rails and pack if necessary
- Ensure all neoprene joint gaskets and safety movement gaskets are installed before hanging tiles.
- Ensure base cavity closer is fitted.
- Ensure all flashings are in place and stop ended where necessary.

Proceed to install Tonality Tiles



Installing Tonality Tiles

Cladding Tiles

- ❑ Install Tonality tiles, ensuring that the tiles are well placed onto the hooks.
- ❑ Ensure tiles are fixed free from constraint forces between the vertical system profiles.
- ❑ For trimming tiles on site and mitre cuts, refer to Section 8 of the Product Information Sheet for guidelines.
- ❑ Ensure soiling or dust from construction is rinsed from the tiles with water upon completion.

