

Your partner in building solutions



INSTALLATION GUIDE



Soffits



© PBS Distributors. The content of these instructions remain the property of PBS Distributors and must not be altered, used or any other publication without the written permission of PBS Distributors.

TE-SY-SO-Install 110713

General remarks on Eterpan Soffits

- This installation guide is to be used in conjunction with:
 - PBS Eterpan Soffit Q A Sheet
 - PBS Soffit Linings specifications
 - PBS Soffit Linings Order List
 - Architects' specific details
 - PBS Corporate Folder

- The methods selected for this guide are based on experience from sites & have proven to give the best results. The sequence of the work steps as well as their implementation may vary more or less due to different building situations.

- Further details are available in the PBS folder or from the website

www.pbs.co.nz

Preliminary checks

- Ensure that new / existing support framing is suitable.
 - NZS3602 “Timber and wood-based products for use in buildings” for timber treatment allowable moisture content
 - NZS 3603 “Timber structure standard” and AS/NZS 1170 “Structural design actions” structural and design OR
 - NZS 3604 “Timber framed buildings”
- Soffits to be supported on four edges.
- Complete frame check to ensure compliance. Nogging centres to be as per table below.

SOFFIT WIDTH mm	MAX. SOFFIT NOG CTRS. mm
450, 600	1200
750	900
900, 1200	600

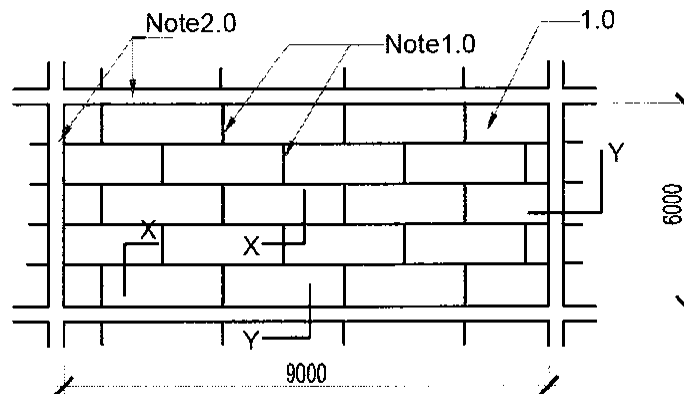
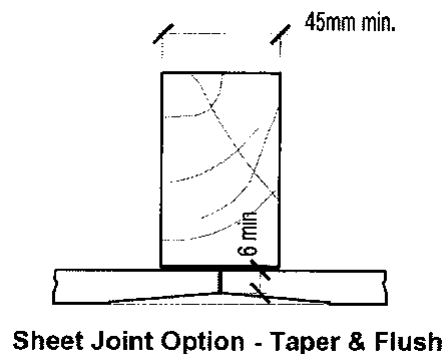
- Ensure roof or deck above is watertight before fixing soffits.
- Ensure Eterpan sheet is stored flat on a flat surface, covered and kept dry.

Products

- Eterpan Refined, Eterpan Base & Europan for soffits
- For exposed fixings use 40mm x 10g SS screws with 10g cup head washers. Or No 8 x 40mm Surefast screws for countersunk fixings.
- 40 x 2.8mm SS clouts, available in 5kg packs.
- Bostik SAFEFIX, available in 300 ml or 600 ml sausage
- PE Foam tape, 48mm x 1.6mm
- Aluminum sockets 0.7mm x 70mm, with 9 x 6mm Foam tapes
- 70mm x 30m roll PVC Duct tape. For separation between dissimilar materials.
- 3m PVC Joint mouldings in 4.5mm, 6.0mm & 9.0mm sizes.

Step 1: sheet fixing layout – FLUSH JOINTS

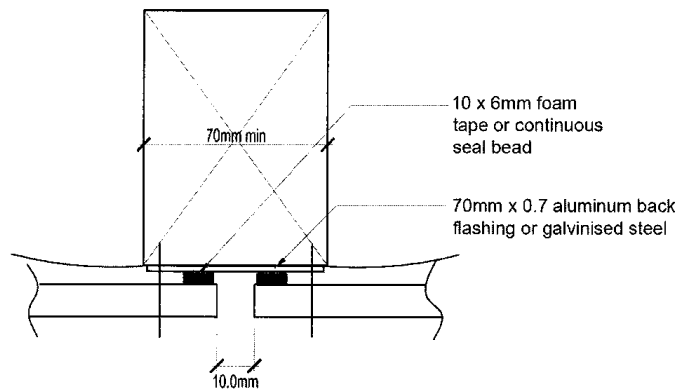
- ❑ Sheets to have staggered joints. Site tapers required to short edges of the Eterpan sheets. Long edges are factory tapered. **Refer diagram below for sheet set out.**
- ❑ Fix sheets from centre out
- ❑ Control joints; Max bay size 9m x 6m. **Refer diagram below**
- ❑ Control joints required at changes in direction
- ❑ Control joints required to coincide with seismic or construction joints.
- ❑ All edges of the sheets have to be supported by a joist or nogg.



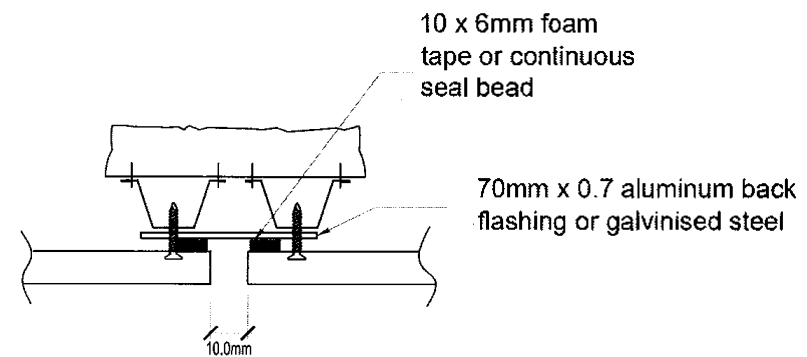
- Notes:
1. Stagger Sheet Joints.
 2. Control Joints.
- See section X-X & Y-Y on page EP.7.1.06.

Step 2: sheet fixing layout – EXPRESSED JOINTS

- ❑ No specific sheet lay out required for expressed joints.
- ❑ Fix sheets from centre out.
- ❑ For timber framing min. 70mm wide timber required for expressed joints
- ❑ For metal channel framing, two channels required for expressed joints.
- ❑ Expressed joints required at changes in direction
- ❑ All edges of the sheets have to be supported by a joist or nogg.



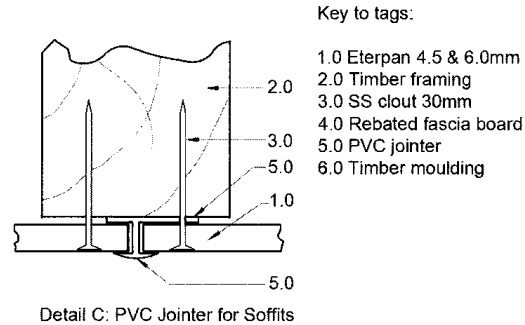
Detail A: Expressed Joint Timber Frame
Section X & Y



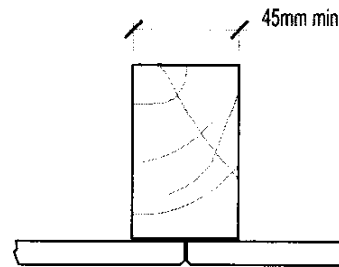
Detail A: Expressed Joint Metal Channel
Section X & Y

Step 3: Further sheet joint options

- PVC jointers

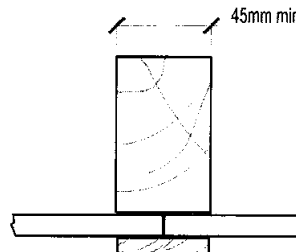


- Butt joint



Sheet Joint Option - Butt Join

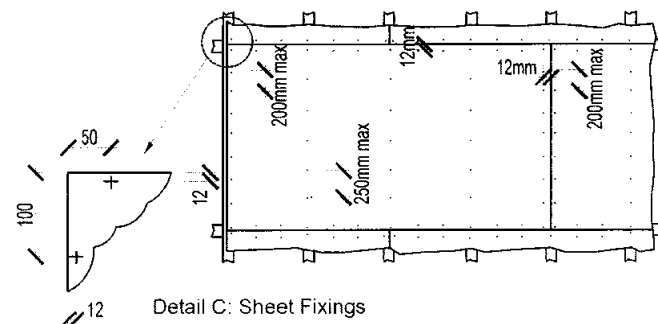
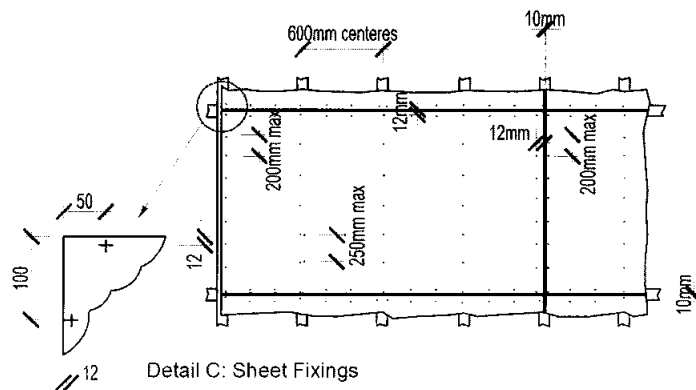
- Cover batten



Sheet Joint Option - Cover Batten

Step 12: Fix Sheets

- ❑ Cut Eterpan Refined, drill & countersink holes for screw fixed applications.
- ❑ Screw or clout fix Eterpan sheets @ max. 200mm crs to timber framing.
- ❑ Ensure minimum edge clearance of 12 mm for screw fixing of the sheets .
- ❑ Contact adhesive can be used to intermediate nogs instead of screws.



Step 13: Finishing

- Clean & prime screw holes ready for filling.
- Fill screw holes with Nuplex Epoxy Furring cream and scrape flush. **(Dont over apply Epoxy)**
- Flush off with Eterstop/PAL external contract filler.
- Sand screw holes smooth and flush
- Complete Q A sheet to confirm compliance
- Plaster finishing to joints with Eterstop joint flushing and finishing compound
- Use paper joining tapes for internal applications and mesh tapes for external soffits