

Your partner in building solutions



INSTALLATION GUIDE for

decks with  **eterpan** base



© PBS Distributors. The content of these instructions remain the property of PBS Distributors and must not be altered, used or any other publication without the written permission of PBS Distributors. TE-SY-DE-Install 110715

General remarks

- The following guidelines are a simple tool to help with the installation of ETERPAN sheets for flooring and can be used under tiles/marble/slate. For tile/slate underlay we refer to the PBS details on “Tile/slate underlay” with 6.0 or 9.0 mm ETERPAN Base.

- The product to use in the flooring application is **ETERPAN Base**.
 - Thickness: 20.0 mm depending on allowable loads and distance between floor joists
 - Available size: 2400 x 1200 mm

- The methods selected for this guide are based on experience from sites & have proven to give the best results.

- Further details are available in the PBS folder or from the website

www.pbs.co.nz

Preliminary checks

- Ensure that new / existing flooring and supporting framing is suitable.
 - NZS3602 “Timber and wood-based products for use in buildings” for timber treatment allowable moisture content
 - NZS 3603 “Timber structure standard” and AS/NZS 1170 “Structural design actions” structural and design OR
 - NZS 3604 “Timber framed buildings”
- Allow sufficient ventilation under all timber floors (especially new ones) – see NZS 3604
- The timber joists must be a minimum 45mm wide and supporting four edges of the sheet.
- In external wet areas a waterproofing membrane must be applied over the ETERPAN Base flooring substrate.
- Ensure ETERPAN Base is stored flat on a flat surface, covered and kept dry.
- Complete frame check to ensure compliance with the following loading table.

Preliminary checks

☐ The 20.0 mm thick sheets used for decks and flooring are designed for the following allowable loads.

Distance between joists	300 mm	400 mm	450 mm	600 mm
Residential (2.0 kPa, 1.8 kN)	1 layer	1 layer	1 layer	1 layer
Office (2.5 kPa, 2.7 kN)	1 layer	2 layers	2 layers	2 layers
Garage (2.5 kPa, 9.0 kN)	2 layers (glued)	2 layers (glued)	N/A	N/A

Products

- ETERPAN Base 20.0mm compressed sheet for flooring & Decks available in 1.2 x 2.4m size
- Stainless Steel 316 50 mm x 10g screws, available in 100/Jar
- Tungsten Carbide drill bit 20mm; To pre drill holes.
- Bostik SAFEFIX Sealant, available in 330 ml cartridge or 600 ml sausages
- Waterproofing membrane (by others)
- PE Foam tape, 48mm x 1.6mm



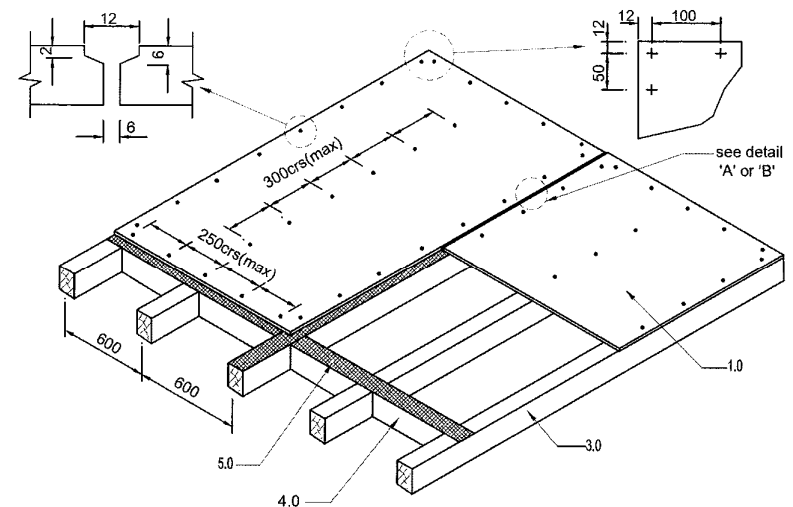
Step 1: sheet laying

- Sheets have to be laid across the joists.
- Sheet joints must be located on the centre line of a joist or nog
- Sheet edges must be butt jointed tightly for tiling applications
- All edges of the sheets have to be supported by a joist or nog
- Screw fixing centres must be as per the fixing table below.

JOIST SPACING CENTRES	MAX. FASTENER SPACING
400mm	400mm
600mm	300mm

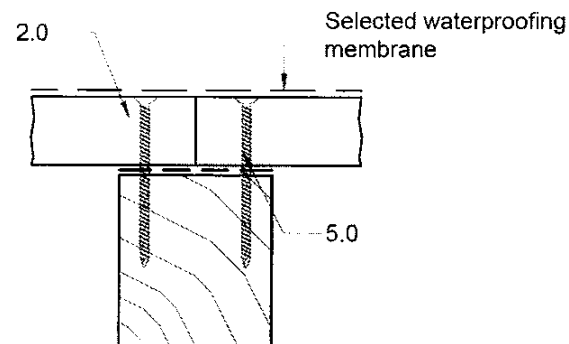
Step 2: fixing of Eterpan 20.0mm sheets – Decks

- ❑ 20.0mm ETERPAN Base flooring must be dry before fixing to framing.
- ❑ Ensure minimum edge clearance of 12 mm for screw fixing of the sheets . Pre drill and countersink sheets for screw fixings.
- ❑ Fix ETERPAN Base directly to floor framing with the 50mm screws. Generally screw fixings are countersunk 2-3mm below the sheet surface and filled flush with a 2 part Epoxy filler. For tiling applications direct over ETERPAN Base sheet, screws can be driven flush with the sheet surface.



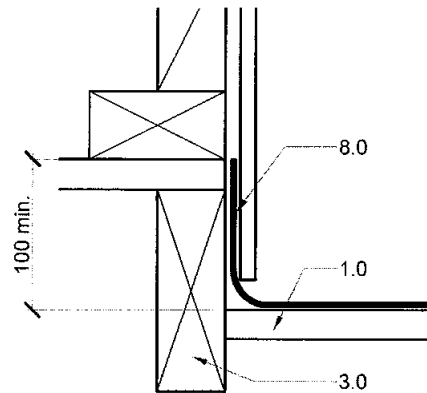
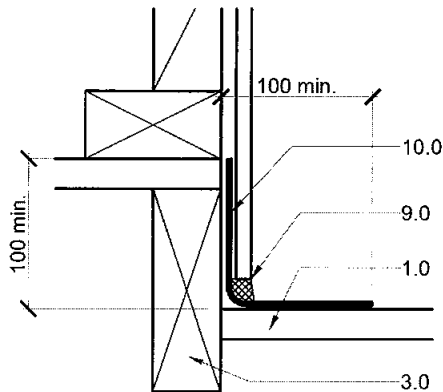
Step 3: fixing of Eterpan 20.0mm sheet - Wet Areas

- ❑ PE Foam Tape 48mm x 1.6mm to be taped on to framing at all sheet joints. Refer **5.0** on detail below.
- ❑ In wet areas a primer + waterproof membrane have to be applied on the Eterpan Base surface, before any further tiling can be done. We refer to the manufacturer's recommendations (Mapei NZ, Bostik NZ, Ardex NZ ...) for further information. Be careful to clean the Eterpan Base sheets before applying the primer / membrane.



Step 4: Details

- Typical detail against walls .



Where deck to be finished with full membrane seal

Technical Detail

- 1.0 Eterpan Base 20mm thick
- 2.0 Stainless steel screws 10swg x 50mm long
- 3.0 Joist minimum width, 50mm @ 600crs
- 4.0 Nogs at all butt joints, minimum width 50mm
- 5.0 PE foam tape, 48mm x 1.6mm
- 6.0 PE backing rod
- 7.0 Holdfast Soudal Fix All 220 Sealant/Sika AT-Facade
- 8.0 Bituthene membrane, eg. Nuplex or Bostik.
- 9.0 Bostik Kitchen & Bathroom N/C
- 10.0 Dampfix 2 or Dampfix Gold.